

Treviso II

Geräteblatt Kaminofen mit Wärmetauscher	DE
Fiche technique Poêle à bois avec échangeur thermique	FR
Scheda tecnica Stufa camino con scambiatore termico	IT
Equipment sheet Fireplace stove with heat exchanger	GB
Tehnički list Kaminska peč sa izmjenom topline	HR
Tehnični list Kaminska peč z toplotnim izmenjevalcem	SLO

Notes in the text



Of utmost importance there are the notes entitled **WARNING**. The notes entitled **WARNING** advise you on **serious danger of damage to the heating device or of an injury**.



The note entitled **Notice** advises you on possible damage to your heating device.



The note entitled **Important** calls your attention to the information important for the operation of your heating device.



The note itself calls your attention to the information important for the operation of your heating device in general.

Contents

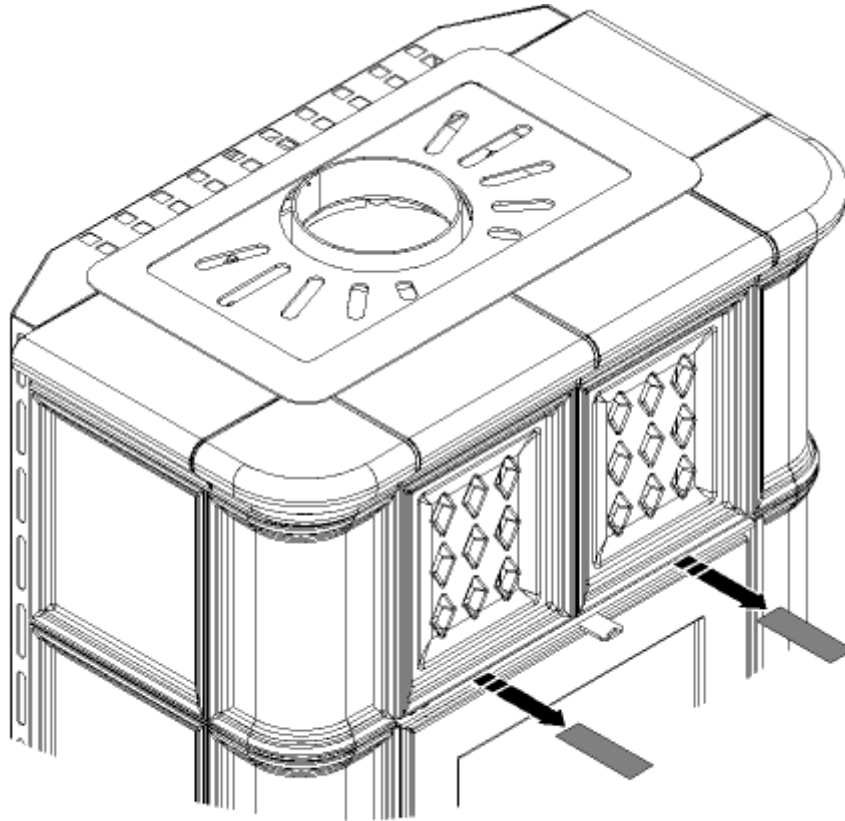
1. Technical data	1
1.1. Suitable fuel, stoking amount of fuel	1
2. Technical description	2
3. List of spare parts	3
3.1. Overall scheme of the model	3
3.2. Detail A1	5
4. Dimensioned diagram	6
5. Installation of flue elbow	7
6. Cracks in the glazing layer	8



WARNING

Prepare before putting into operation

Spacers located at the front side of the stove (see the figure) must be removed before putting the stove into operation!



1. Technical data

	Block wood
Achievable heat output	8,1 kW
Nominal heat output	8 kW
Energy efficiency	80,1 %
Average concentration of CO at 13% O ₂	987 mg/Nm ³
Average concentration of dust at 13% O ₂	34 mg/Nm ³
Average concentration of NOx at 13% O ₂	120 mg/Nm ³
Average concentration of CO at 0% O ₂	607 mg/MJ
Average concentration of dust at 0% O ₂	22 mg/MJ
Average concentration of NOx at 0% O ₂	78 mg/MJ
Three values of combustion products (three specific output parameters of chimneys)	
Amount of combustion products at nominal output	5,6 g/s
Temperature of combustion products in the smoke flue neck	349 °C
Minimum draft of the chimney at nominal heat output	12 Pa

Safety distances

Minimal distances from flammable materials:	side:	40 cm
	rear:	40 cm
	front (radiation area):	80 cm

1.1. Suitable fuel, stoking amount of fuel

Fuel:	Max. stoking amount of fuel
Block wood:	2 - 3 logs (max. 2,3 kg)
Length of wood logs:	Max. 25 cm
Lignite briquette:	2 - 3 brown-coal briquettes (max. 1,7 kg)

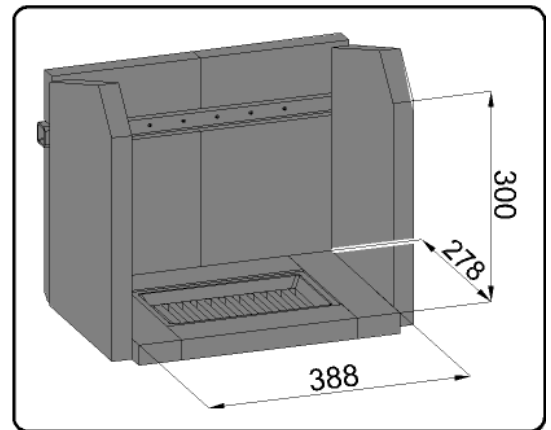
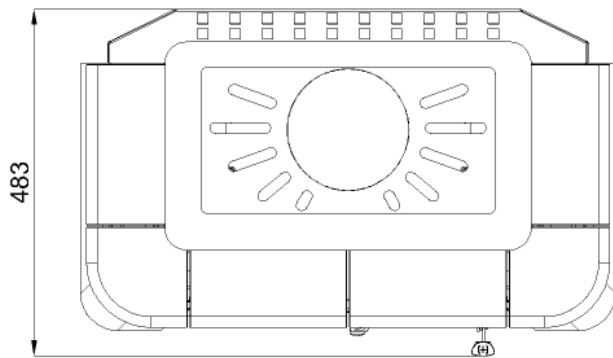
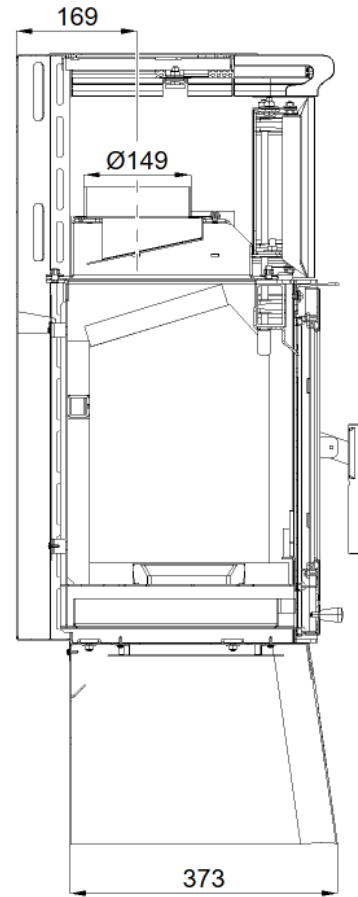
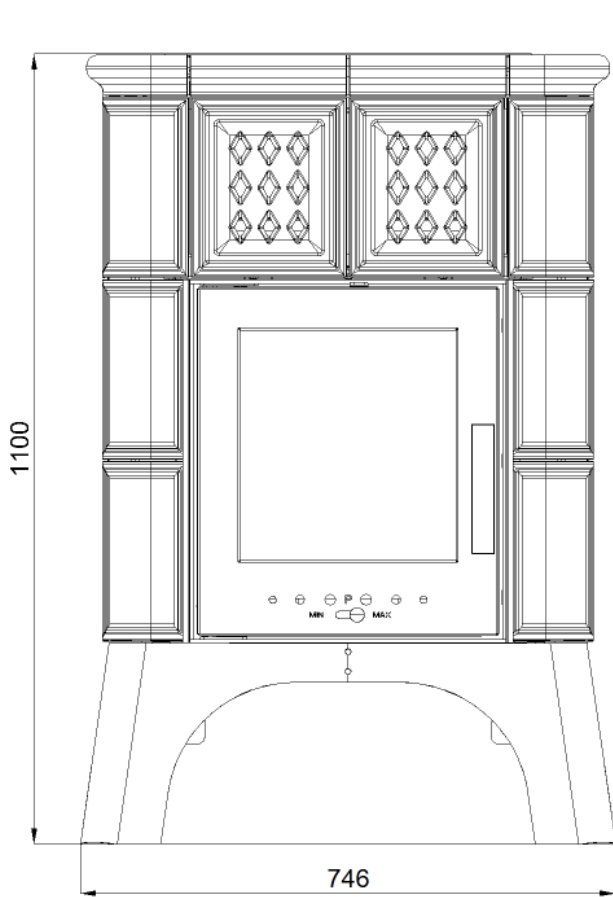


Note

When heating with wood stock, employ solely the types of wood which have been stored for two years and their residual humidity is at most 17 %.

2. Technical description

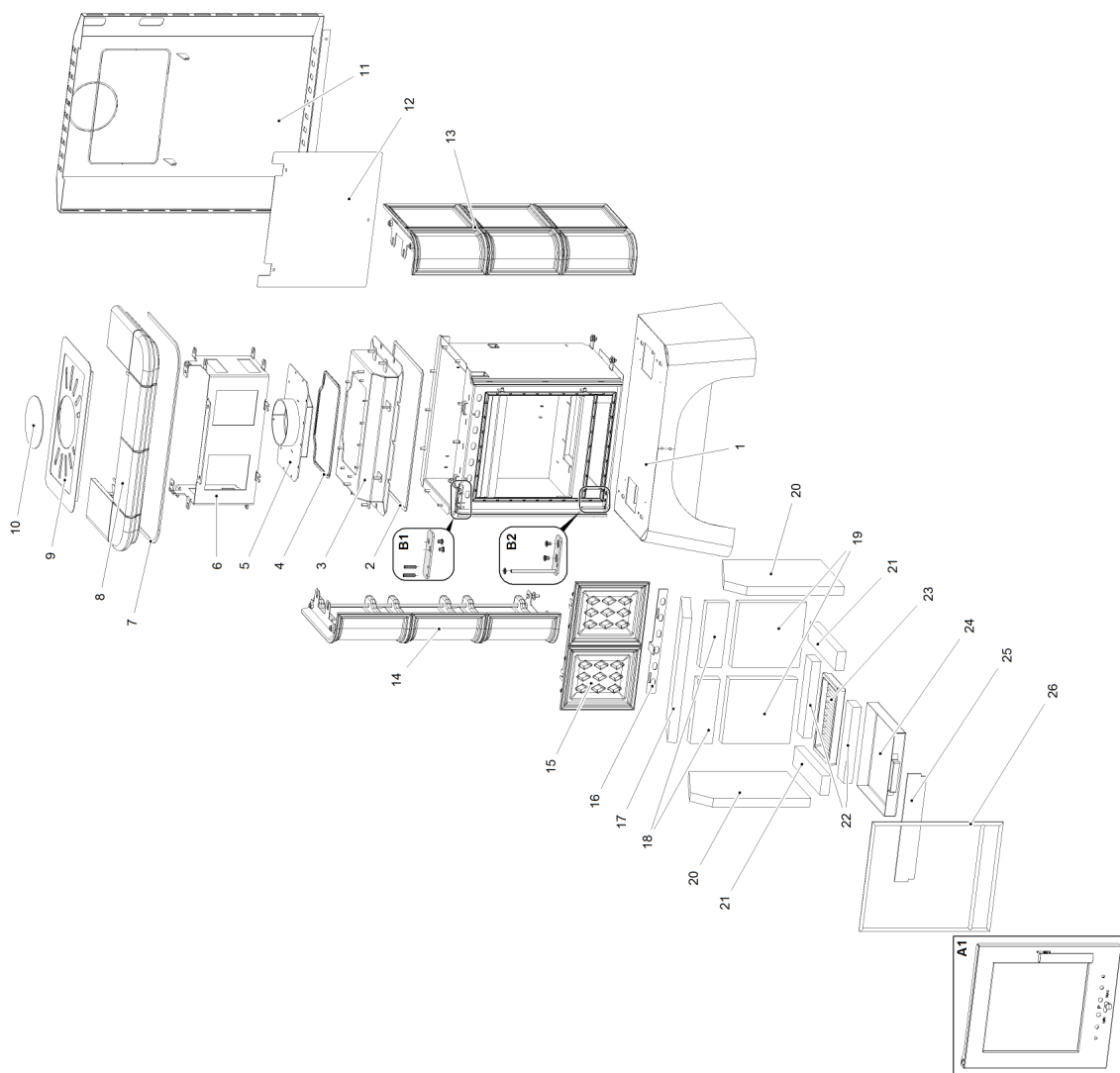
Technical description



GB

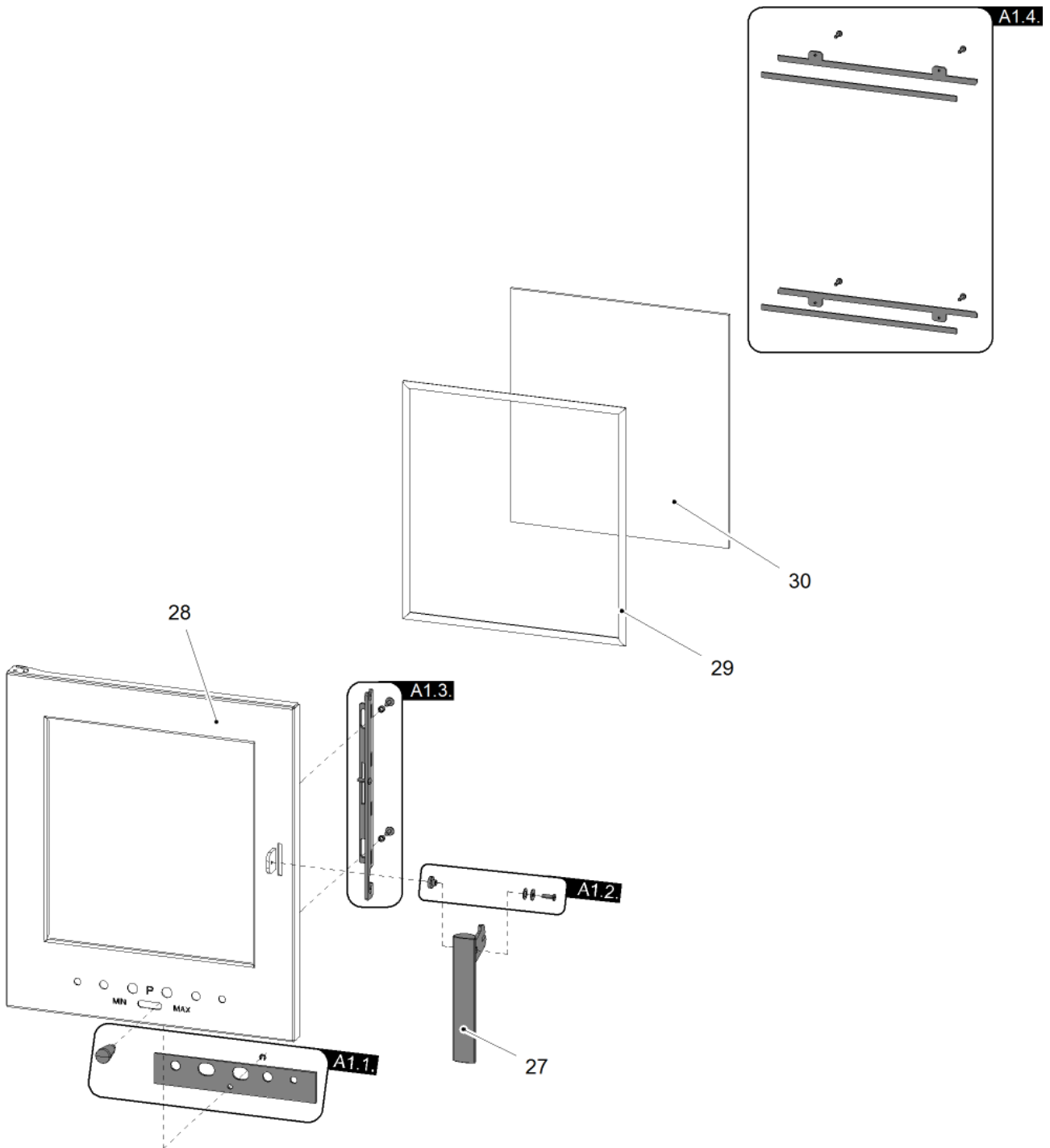
3. List of spare parts

3.1. Overall scheme of the model



Item	Name	Quantity	Number of goods
Overall scheme of the model			
A1	Fire-box door (complete)	1 piece	0433900005300
B1	Fire-box door suspension (complete)	1 piece	0331415005040
B2	Fire-box door suspension (complete)	1 piece	0331415005045
1	Base	1 piece	0433900005151
2	Sealing cord of the body lid 10x4 mm (1060 mm)	1 piece	0040210040005
3	Lid of the body	1 piece	0433900005180
4	Flue gas duct packing cord 10x4 mm (990 mm)	1 piece	0040210040005
5	Smoke flue neck	1 piece	0433900005187
6	Lining holder	1 piece	0332015105025
7	Sealing cord 10x4 mm (1350 mm)	1 piece	0040210040005
8	Upper mantelpiece/green	1 piece	0332015006102
8	Upper mantelpiece/brown	1 piece	0332015026102
8	Upper mantelpiece/cream	1 piece	0332015076102
8	Upper mantelpiece/ivory	1 piece	0332015056102
9	Top cover	1 piece	0332015006155
10	Upper blind flange	1 piece	0331415005060
11	Rear cover	1 piece	0433900005140
12	Barrier	1 piece	0332015005020
13	Fireplace tile – side – right/green	1 piece	0332015006101
13	Fireplace tile – side – right/brown	1 piece	0332015026101
13	Fireplace tile – side – right/cream	1 piece	0332015076101
13	Fireplace tile – side – right/ivory	1 piece	0332015056101
14	Fireplace tile – side – left/green	1 piece	0332015106100
14	Fireplace tile – side – left/brown	1 piece	0332015026100
14	Fireplace tile – side – left/cream	1 piece	0332015076100
14	Fireplace tile – side – left/ivory	1 piece	0332015056100
15	Front tiles/green	1 piece	0332015006103
15	Front tiles/brown	1 piece	0332015026103
15	Front tiles/cream	1 piece	0332015076103
15	Front tiles/ivory	1 piece	0332015056103
16	Controller of secondary air	1 piece	0433900005009
17	Lip - loose (fire-clay)	1 piece	0433900005701
18	Fire-clay 75x220x30	2 piece	0433900005505
19	Fire-clay 220x230x30	2 piece	0331415005501
20	Fire-clay 390x250x30	2 piece	0433900005503
21	Fire-clay 61x278x30	2 piece	0433900005506
22	Fire-clay 61x260x30	2 piece	0331415005502
23	Cast-iron grat	1 piece	0020100130005
24	Ash pan	1 piece	0427715006600
25	Protection	1 piece	0433900005008
26	Door sealing cord 12 mm (2000 mm)	1 piece	0041012120005

3.2. Detail A1



Item	Name	Quantity	Number of goods
Detail A1			
27	Fire-box door lever lock (complete)	1 piece	0433615025318
A1.1.	Controller of primary air — set	1 piece	0430815006306
A1.2.	Handle connecting material — set	1 piece	0081010180005
A1.3.	Closing mechanism drawbar — set/anthracite	1 piece	0331415017330
A1.4.	Glass holder — set	1 piece	0331415006306
28	Fire-box door (welded part)	1 piece	0332015007200
29	Glass sealing cord 10 mm (1350 mm)	1 piece	0040710100005
30	Refractory glass (318x338)	1 piece	0332015005304

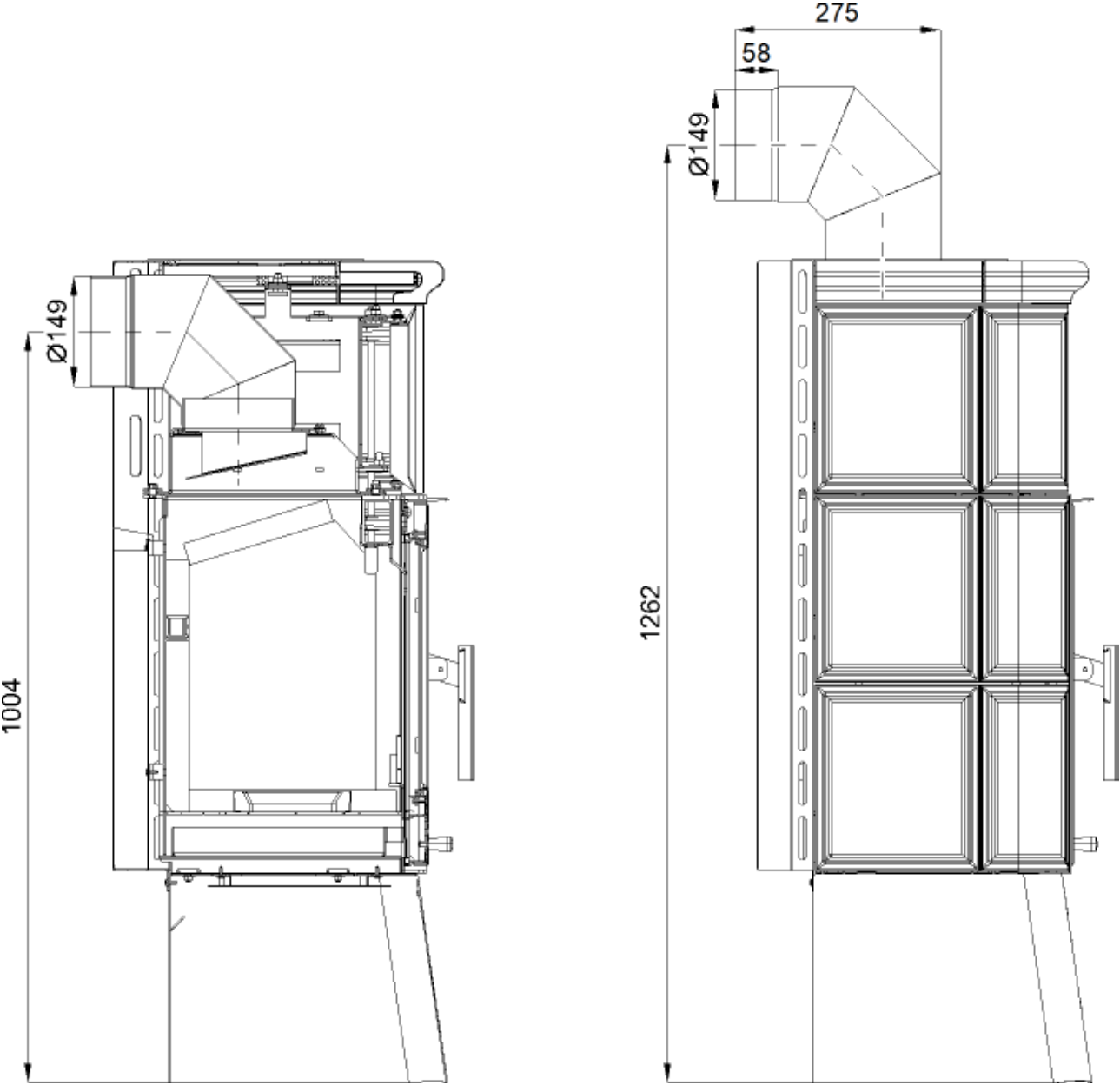
4. Dimensioned diagram



Note

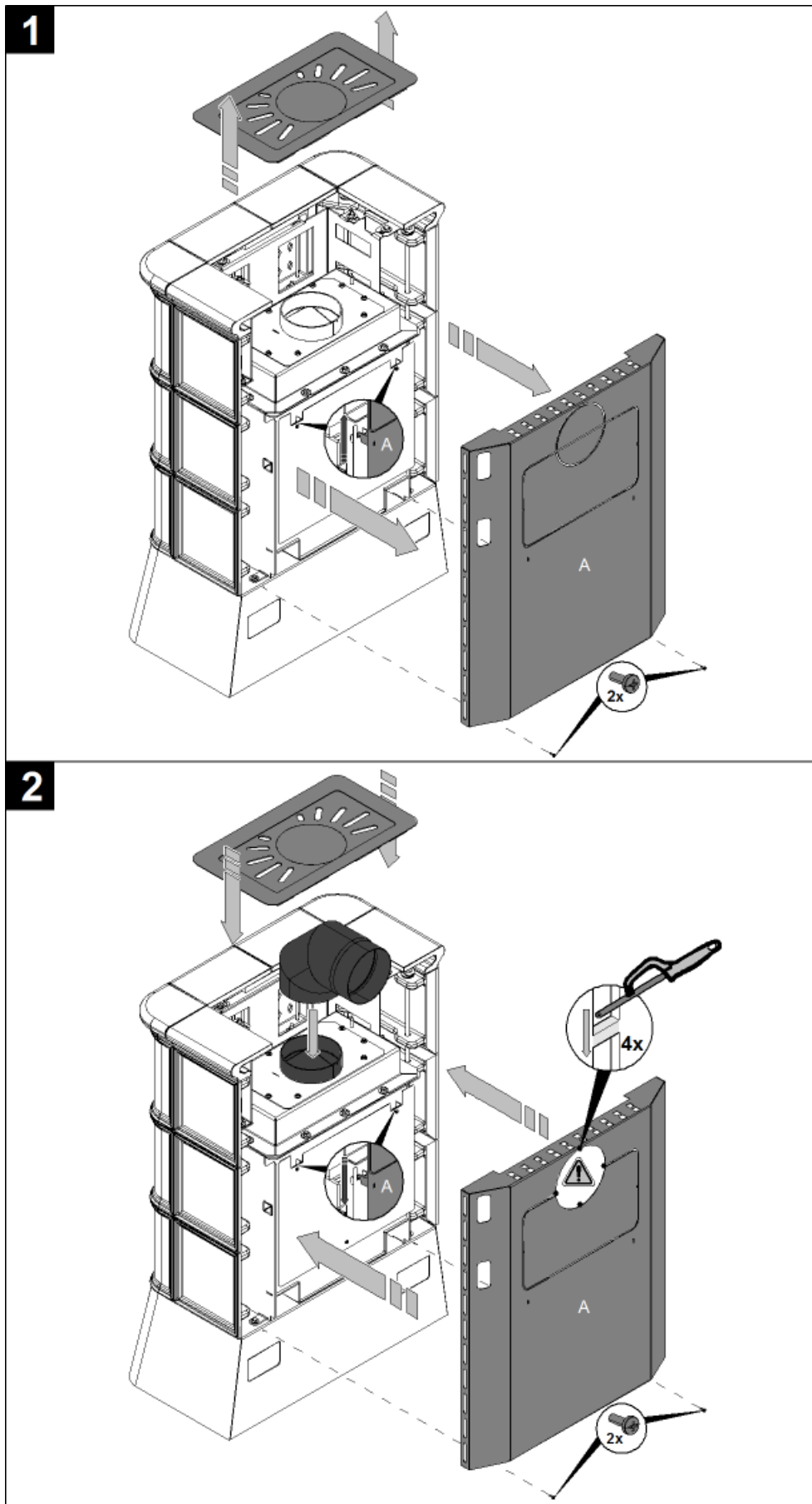
The elbow of flue gas installation is not included in the delivery (special accessories).

Dimensioned diagram



GB

5. Installation of flue elbow



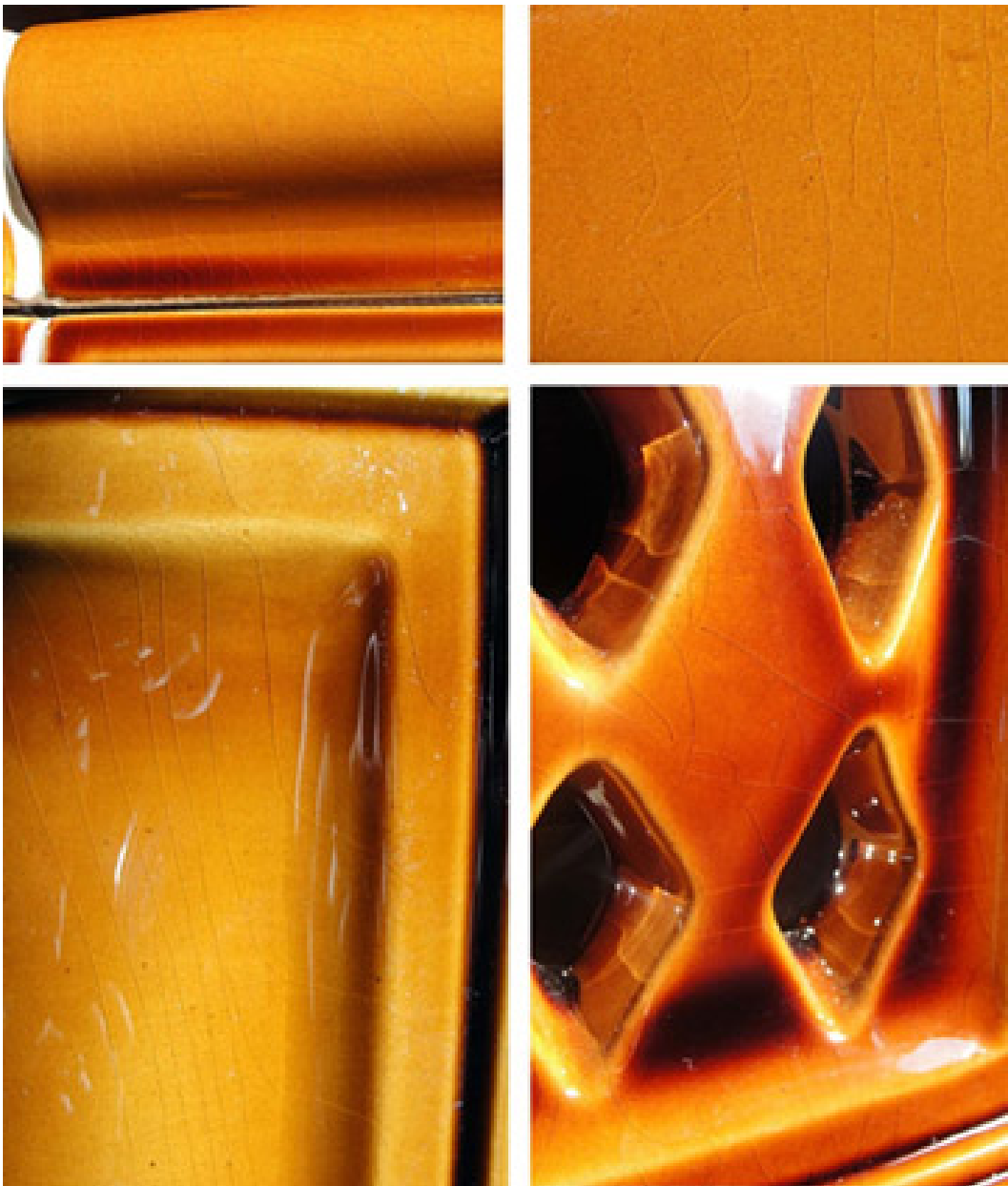
6. Cracks in the glazing layer

The ceramic oven tile is a brittle, porous and natural material which continuously works following changes of temperature and humidity. Consequently some small cracks may occur in the glazing, so called hairline cracks.

During slow cooling after firing, the glaze looks rather like a liquid than a solid substance. The ceramic oven tile shrinks and the glaze adapts to its changes easily. From a certain temperature, however, the glaze starts to behave as a solid substance with its own thermal expansion and thus some tension between the glaze and the ceramic tile occurs. If – during cooling - the glaze shrinks more than the ceramic oven tile, the higher stress values in the glaze may cause uncontrolled hair crack formation. All traditional and historically verified glazes exhibit hairline cracks and many customers value them highly.

As for ceramic oven tiles a slight colour tint and hairline cracks in the glaze are natural. They do not affect the quality and they do not represent any cause for complaints.

Cracks in the glazing layer



GB