

HAAS
+
SOHN



Wels 291.12 RLU

Equipment sheet
Fireplace stove

GB

Notes in the text



Of utmost importance there are the notes entitled **WARNING**. The notes entitled **WARNING** advise you on **serious danger of damage to the heating device or of an injury**.



The note entitled **Notice** advises you on possible damage to your heating device.



The note entitled **Important** calls your attention to the information important for the operation of your heating device.



The note itself calls your attention to the information important for the operation of your heating device in general.

Contents

1. Technical data	1
1.1. Suitable fuel, stoking amount of fuel	1
2. Fireplace stove dimensional drawing	2
2.1. Wels 291.12 RLU PICO	2
2.2. Wels 291.12 RLU GRANDE	3
3. Overview of spare parts Wels 291.12 RLU PICO	4
3.1. Whole emplacement	4
3.2. Detail A1	6
4. Overview of spare parts Wels 291.12 RLU GRANDE	7
4.1. Whole emplacement	7
4.2. Detail A1	9
5. External air regulation	10

1. Technical data

	Block wood	
Achievable heat output	5,4 kW	
Nominal heat output	5 kW	
Energy efficiency	87 %	
Average concentration of CO at 13% O ₂	875 mg/Nm ³	518 mg/MJ
Average concentration of dust at 13% O ₂	22 mg/Nm ³	13 mg/MJ
Average concentration of NOx at 13% O ₂	78 mg/Nm ³	45 mg/MJ
Average concentration of OGC at 13% O ₂	64 mg/Nm ³	33 mg/MJ
Three values of combustion products (three specific output parameters of chimneys)		
Amount of combustion products at nominal output	2,8 g/s	
Temperature of combustion products in the smoke flue neck	326 °C	
Minimum draft of the chimney at nominal heat output	12 Pa	

Safety distances

Minimal distances from flammable materials:	side:	30 cm
	rear:	20 cm
	front (radiation area):	80 cm

1.1. Suitable fuel, stoking amount of fuel

Fuel:	Max. stoking amount of fuel
Block wood:	1 - 2 logs (max. 1,25 kg)
Length of wood logs:	Max. 33 cm
Saw-dust briquettes (DIN51731):	—
Lignite briquette:	—

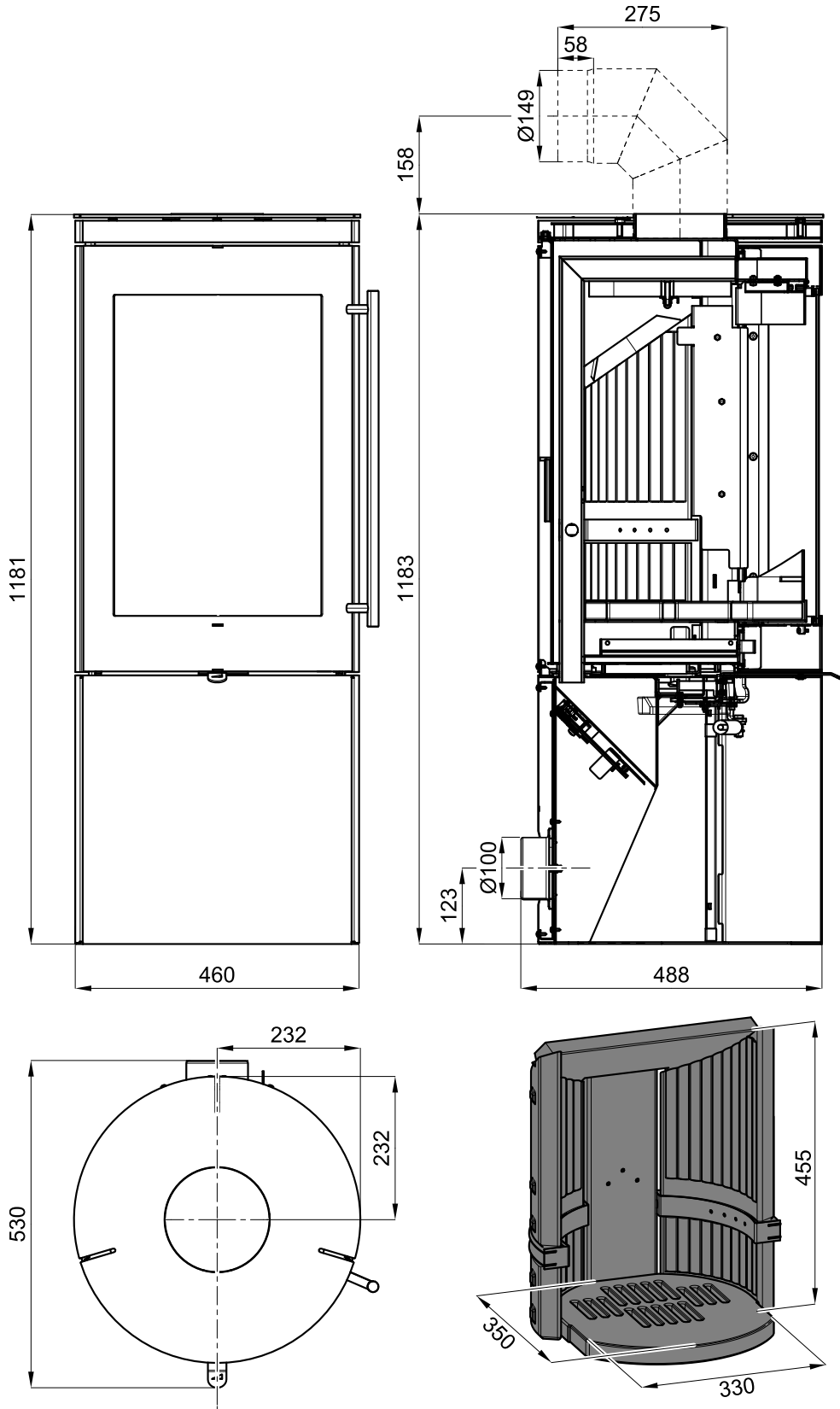


Note

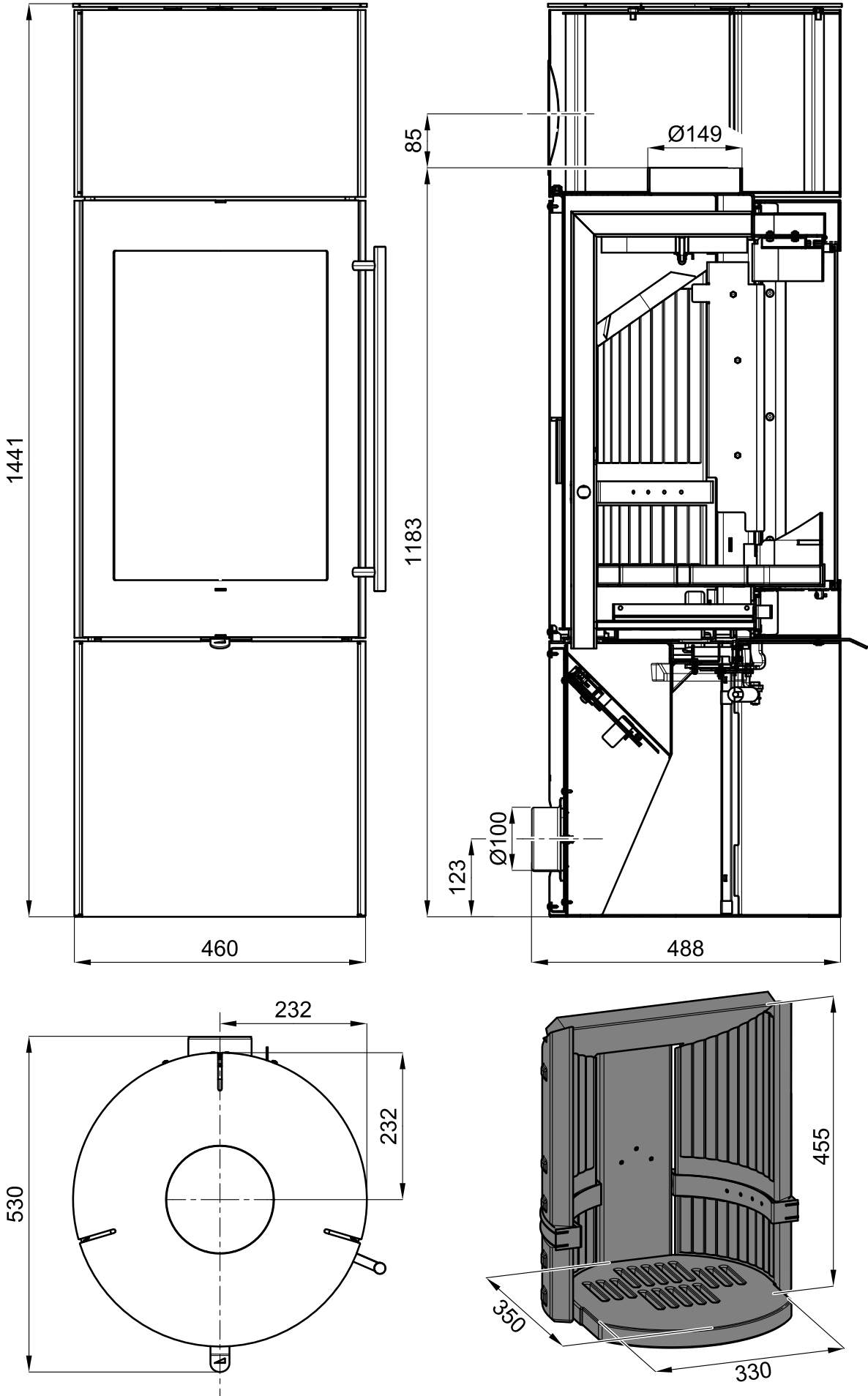
When heating with wood stock, employ solely the types of wood which have been stored for two years and their residual humidity is at most 17 %.

2. Fireplace stove dimensional drawing

2.1. Wels 291.12 RLU PICO

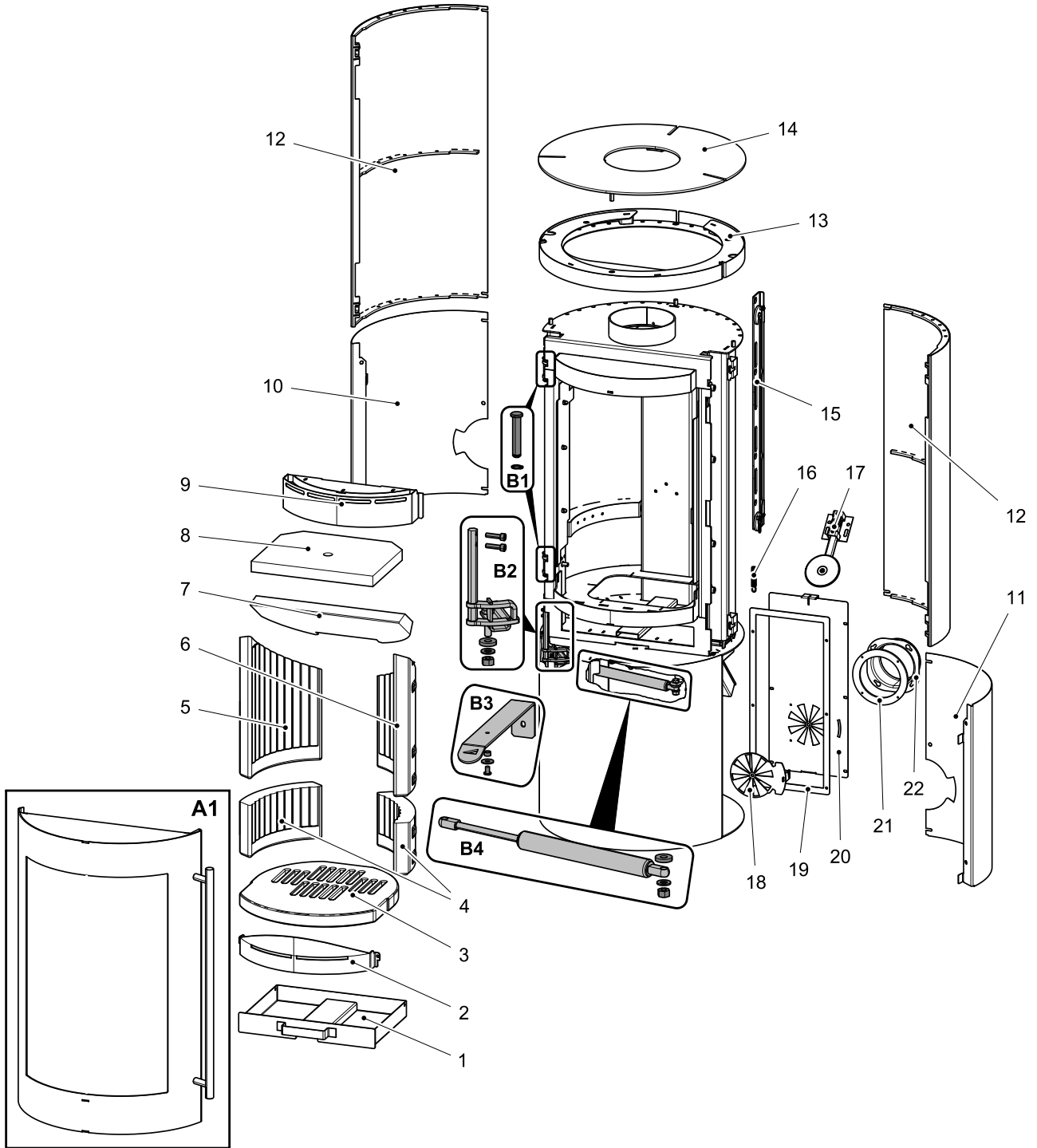


2.2. Wels 291.12 RLU GRANDE



3. Overview of spare parts Wels 291.12 RLU PICO

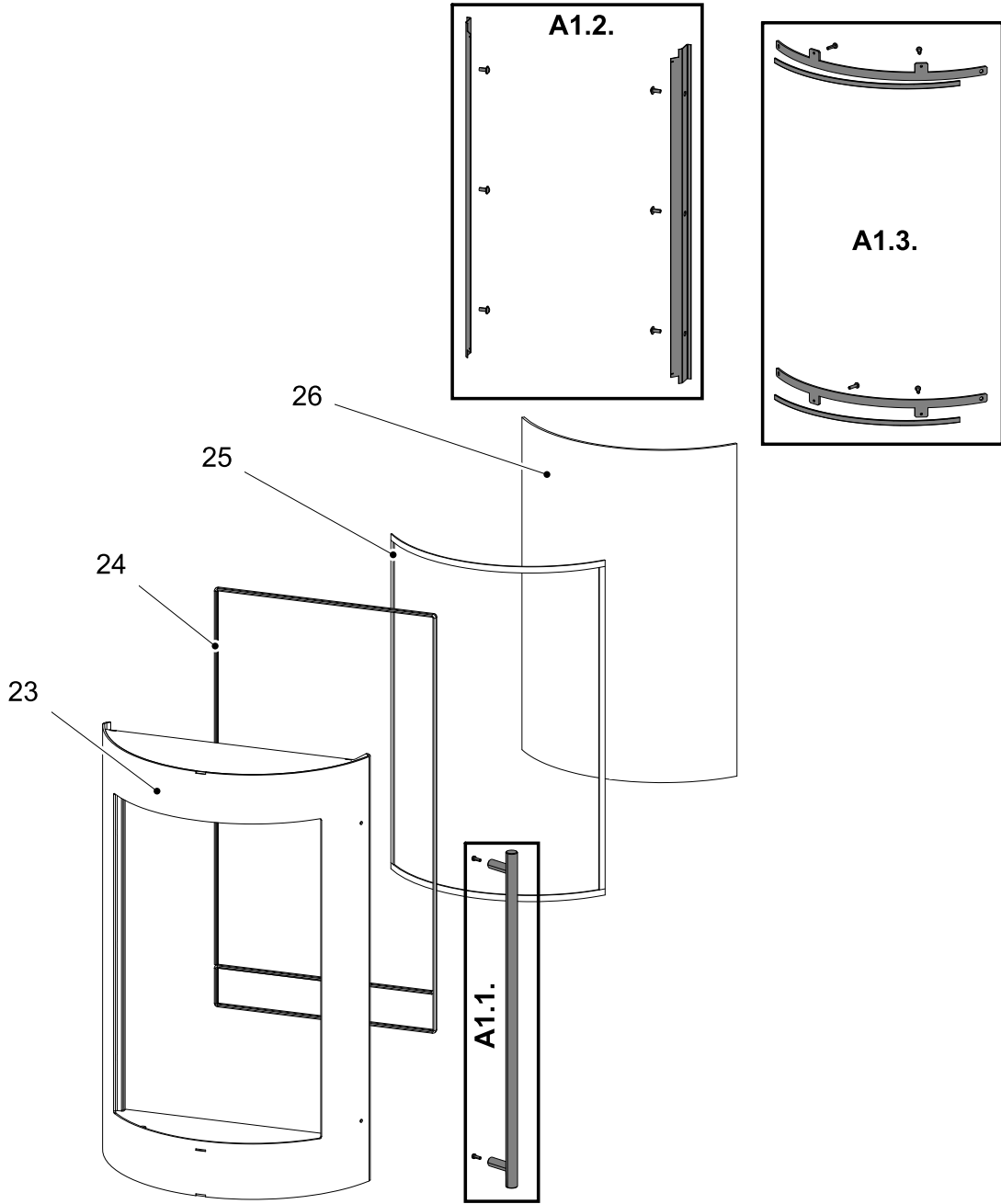
3.1. Whole emplacement



GB

Item	Name	pcs	Spare part number
Whole emplacement			
A1	Fire-box door (complete)/black	1 piece	0429112205300
B1	Fire-box door suspension (complete)	1 piece	0424717035002
B2	Door holder lower (complete)	1 piece	0429112006305
B3	Controller (complete)	1 piece	0433817015012
B4	Hydraulic brake (complete)	1 piece	0429112006090
1	Ashpan	1 piece	0429112005600
2	Protection/black	1 piece	0429112005700
3	Grate	1 piece	0428612005520
4	Stone 40x125x211	2 piece	0428712005501
5	Stone 40x339x211	1 piece	0428712005504
6	Stone 40x339x211	1 piece	0428712005505
7	Lower return draft board	1 piece	0429112005507
8	Upper return draft board	1 piece	0429112005508
9	Air supply/black	1 piece	0429112005005
10	Sheet rear left/black	1 piece	0428612006041
11	Sheet rear right/black	1 piece	0428612006038
12	Lateral lining/black	2 piece	0428612005014
13	Hood/black	1 piece	0429112205001
14	Covering board/black	1 piece	0428612005800
15	Set of rail for door closing	1 piece	0429112005035
16	Door spring	1 piece	0429112005020
17	Secondary air damper - automatic	1 piece	0089900470005
18	Controller external air	1 piece	0420114006074
19	Sealing of the back cover (1200 mm)	1 piece	0040212040006
20	Back cover/black	1 piece	0429112005019
21	Sealing of the external air input	1 piece	0530513007349
22	External air input (Ø100)	1 piece	0088500050008

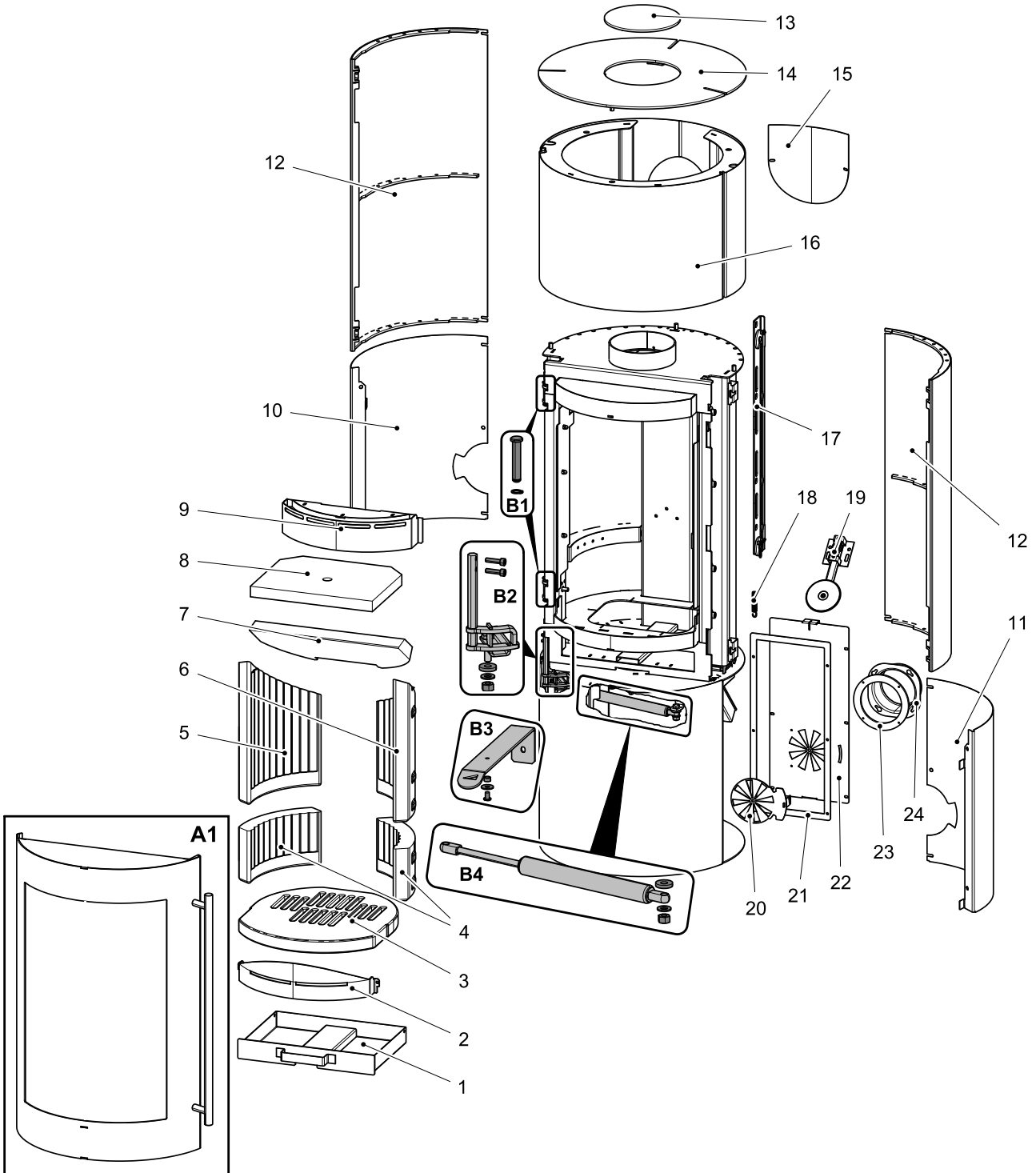
3.2. Detail A1



Item	Name	pcs	Spare part number
Detail A1			
A1.1.	Set of door handle	1 piece	0429112006385
A1.2.	Set of door cover/black	2 piece	0428612006321
A1.3.	Set of glass holders/black	2 piece	0433817006365
23	Fire-box door/black	1 piece	0429112205200
24	Sealing of the door 12 mm (2450 mm)	1 piece	0041012120005
25	Glass sealing 25x3 mm (1900 mm)	1 piece	0040225030005
26	Door glass (4xR229x351x540)	1 piece	0428612005310

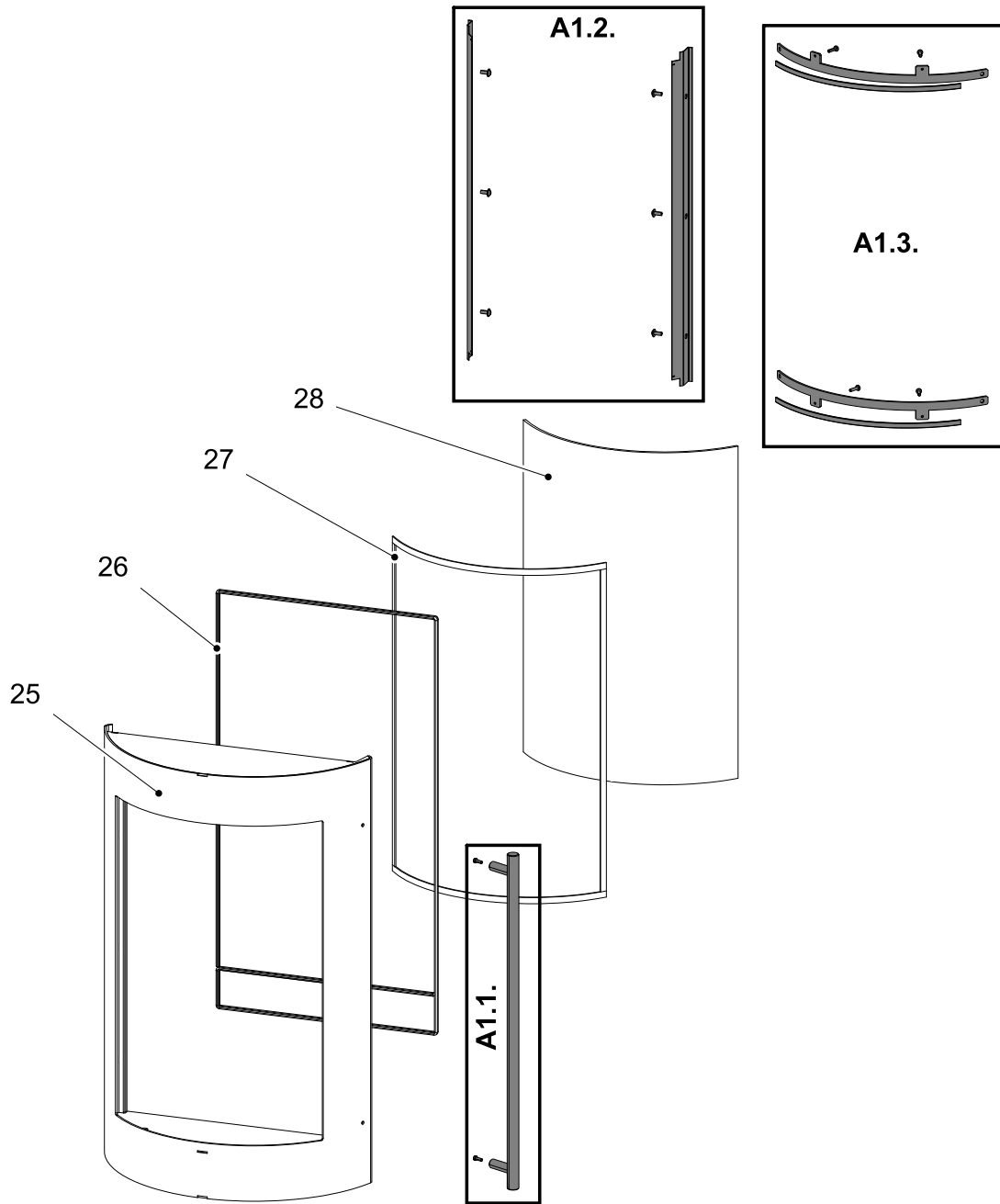
4. Overview of spare parts Wels 291.12 RLU GRANDE

4.1. Whole emplacement



Item	Name	pcs	Spare part number
Whole emplacement			
A1	Fire-box door (complete)/black	1 piece	0429112205300
B1	Fire-box door suspension (complete)	1 piece	0424717035002
B2	Door holder lower (complete)	1 piece	0429112006305
B3	Controller (complete)	1 piece	0433817015012
B4	Hydraulic brake (complete)	1 piece	0429112006090
1	Ashpan	1 piece	0429112005600
2	Protection/black	1 piece	0429112005700
3	Grate	1 piece	0428612005520
4	Stone 40x125x211	2 piece	0428712005501
5	Stone 40x339x211	1 piece	0428712005504
6	Stone 40x339x211	1 piece	0428712005505
7	Lower return draft board	1 piece	0429112005507
8	Upper return draft board	1 piece	0429112005508
9	Air supply/black	1 piece	0429112005005
10	Sheet rear left/black	1 piece	0428612006041
11	Sheet rear right/black	1 piece	0428612006038
12	Lateral lining/black	2 piece	0428612005014
13	Blind cover/black	1 piece	0421817006001
14	Covering board/black	1 piece	0428612005800
15	Hood blind/black	1 piece	0428612005087
16	Hood/black	1 piece	0429112215001
17	Set of rail for door closing	1 piece	0429112005035
18	Door spring	1 piece	0429112005020
19	Secondary air damper - automatic	1 piece	0089900470005
20	Controller external air	1 piece	0420114006074
21	Sealing of the back cover (1200 mm)	1 piece	0040212040006
22	Back cover/black	1 piece	0429112005019
23	Sealing of the external air input	1 piece	0530513007349
24	External air input (Ø100)	1 piece	0088500050008

4.2. Detail A1



Item	Name	pcs	Spare part number
Detail A1			
A1.1.	Set of door handle	1 piece	0429112006385
A1.2.	Set of door cover/black	2 piece	0428612006321
A1.3.	Set of glass holders/black	2 piece	0433817006365
25	Fire-box door/black	1 piece	0429112205200
26	Sealing of the door 12 mm (2450 mm)	1 piece	0041012120005
27	Glass sealing 25x3 mm (1900 mm)	1 piece	0040225030005
28	Door glass (4xR229x351x540)	1 piece	0428612005310

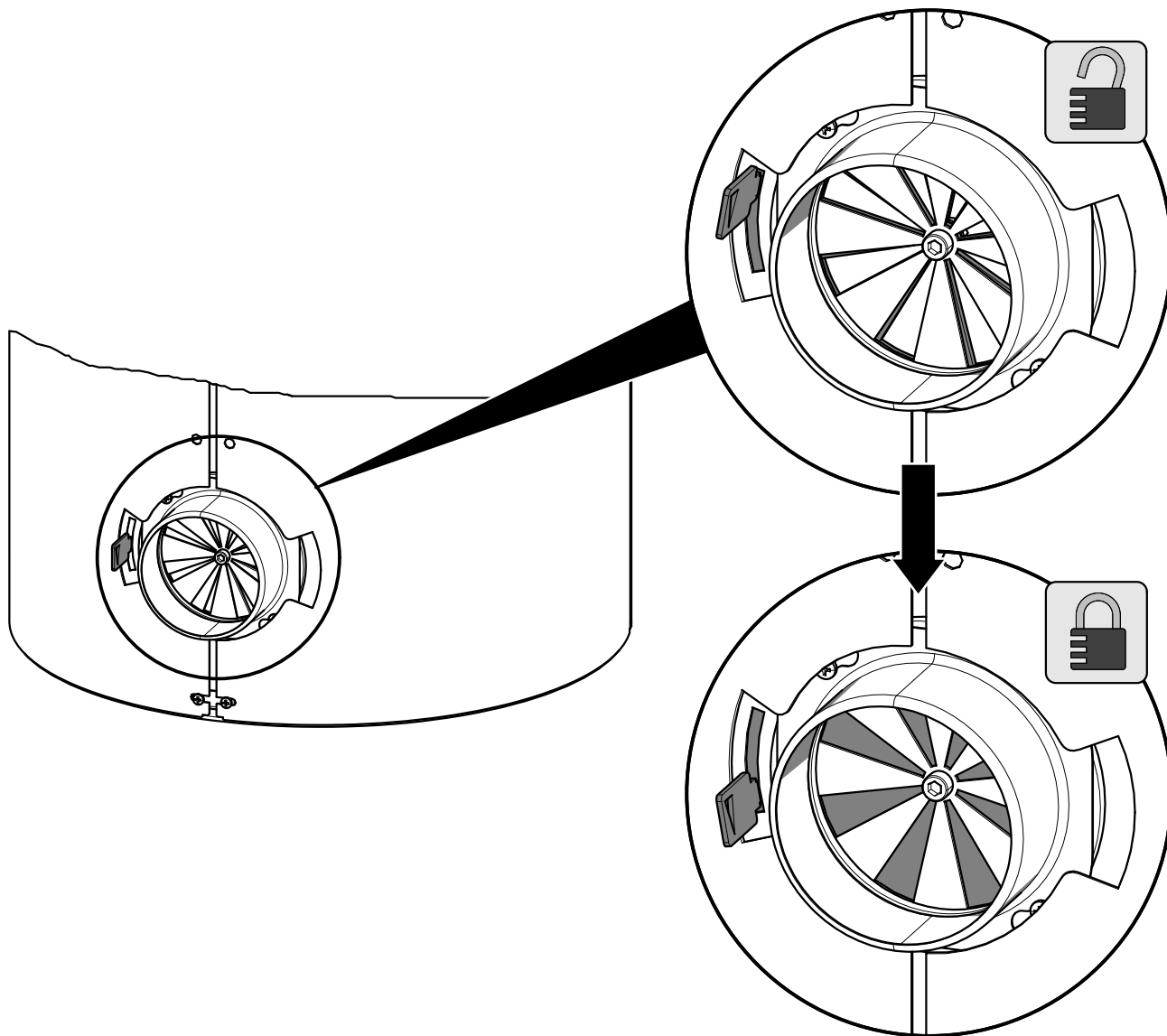
5. External air regulation



WARNING

In course of burning the air intakes **MUST** be always open!

External air regulation



GB

