



HAAAS
+
SOHN

HSP 6 537.08–WT RLU/PGI

Equipment sheet
Pellet stove with heat exchanger

GB

Notes in the text



Of utmost importance there are the notes entitled **WARNING**. The notes entitled **WARNING** advise you on **serious danger of damage to the heating device or of an injury**.



The note entitled **Notice** advises you on possible damage to your heating device.



The note entitled **Important** calls your attention to the information important for the operation of your heating device.



The note itself calls your attention to the information important for the operation of your heating device in general.

Contents

| | |
|---|----|
| 1. Technical data | 1 |
| 2. Dimensions | 2 |
| 2.1. Dimensions | 2 |
| 2.2. Connection of the exchanger | 3 |
| 3. Cleaning work | 4 |
| 3.1. Cleaning the surface | 4 |
| 3.2. Cleaning the glass panel | 4 |
| 3.3. Clean combustion chamber “function instruction” Error F040..... | 4 |
| 3.4. Cleaning the combustion pot - weekly | 4 |
| 4. Maintenance work | 6 |
| 4.1. Cleaning of the ash pan - once a week..... | 6 |
| 4.2. Cleaning of the exchanger - once a week | 8 |
| 4.2.1. Vertical cleaning of the exchanger | 8 |
| 4.2.2. Horizontal cleaning of the conduits of combustion products | 9 |
| 4.3. Cleaning of the exchanger..... | 13 |
| 4.4. Cleaning the pellet container - annual maintenance | 16 |
| 5. Replacement parts list | 17 |
| 5.1. Replacement parts list HSP 6 537.08–WT RLU/PGI (without trim parts)..... | 17 |
| 5.2. Detail A1 | 20 |
| 5.3. Replacement parts list HSP 6 537.08–WT RLU/PGI | 21 |
| 6. Circuit diagram | 22 |

1. Technical data

| | HSP 6 537.08–WT RLU/PGI |
|--|---|
| Heat output range: | 2,7 – 10 kW |
| Nominal heat output: | 10 kW |
| Output delivered by the stove body only (NO/PO): | 2,1/0,2 kW |
| Output available for heating of water (NO/PO): | 7,9/2,5 kW |
| Height: | 1200 mm |
| Width: | 545 mm |
| Depth: | 498 mm |
| Weight: | 174 kg |
| Diameter of flue elbow: | 80 mm |
| Flue gas temperature: | 148 °C |
| Testing transport pressure at nominal output: | 12 Pa |
| Testing transport pressure at partial output: | 5 Pa |
| Flue gas flow rate in g/s | 6,1 g/s |
| CO level in flue gas (%) (min./max.) | 0,01/0,03 % |
| Efficiency (NO/PO): | 94/98 % |
| CO level in flue gas: | 150 mg/Nm ³ |
| NOx level in flue gas: | 102 mg/Nm ³ |
| OGC level in flue gas: | <5 mg/Nm ³ |
| Proportion of dust in flue gas: | 20 mg/Nm ³ |
| Contents of storage container (pellet tank): | about 32 kg |
| Duration of burn with one charge (min./max.): | about 15 h/60 h |
| Permitted fuel: Low-dust wood pellets | diameter: 6 mm |
| to Ö-Norm M 7135, DIN plus, EN plus-A1 | length: max. 30 mm |
| Room heating capacity to DIN 18893, constant heating: | 340m ³ /220m ³ /130m ³ |
| Room heating capacity to DIN 18893, timed heating: | 225m ³ /132m ³ /90m ³ |
| Electricity supply: | 230 V (50 Hz) |
| Electricity supply input: | |
| in normal operation: | max. 85 W |
| Electric ignition (for max. 15 minutes on ignition): | max. 660 W |
| Electronics fuses: (F3) | T 0,315 A, 250 V |
| Fuses for the ignition, screw conveyor motor, induced draught, (F1), pump (F2) | T 3,15 A, 250 V |
| Maximum operating over-pressure of the exchanger: | 200 kPa (2 bar) |
| Water contents of the exchanger: | 30 l |
| Nominal flow rate: | 315 l/h |
| Pressure loss at nominal flow rate: | 130 mbar |

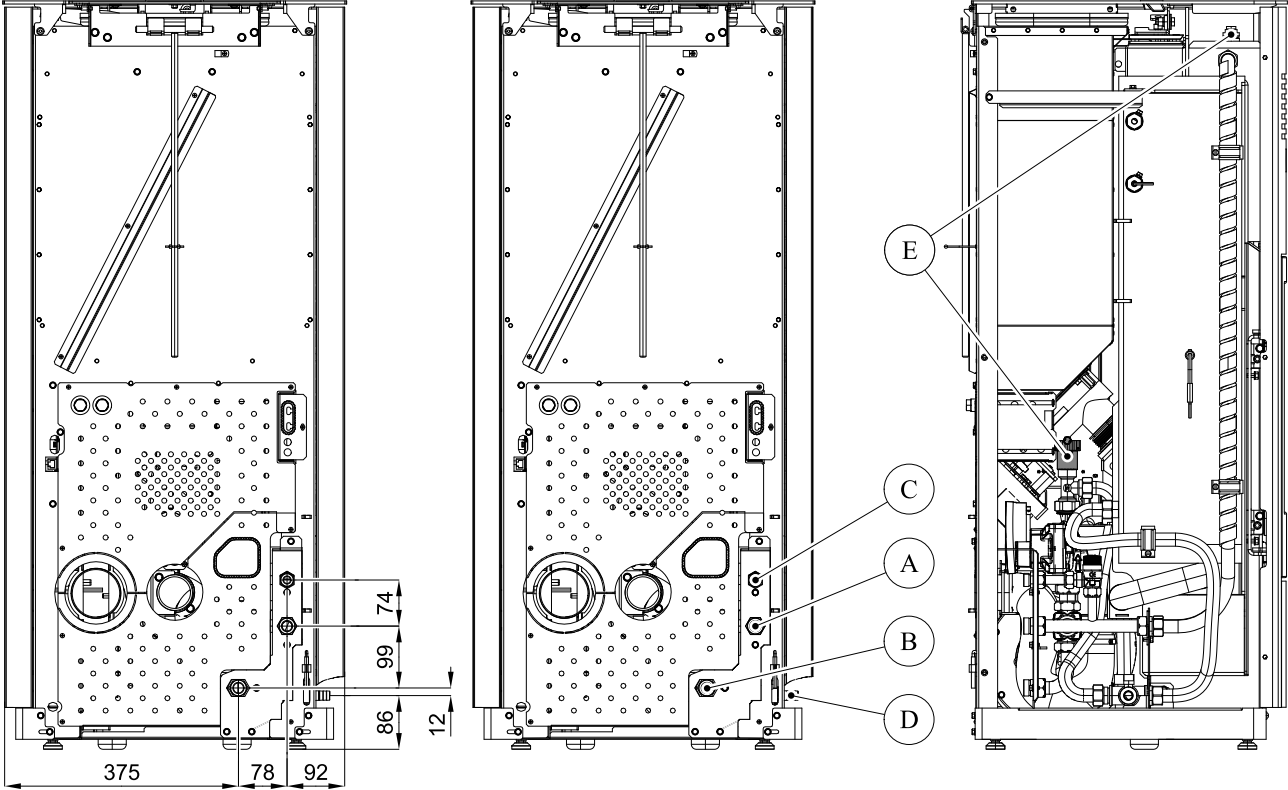
Safety distances

| | | |
|---|-------------------------|-------|
| Minimal distances from flammable materials: | side: | 10 cm |
| | rear: | 5 cm |
| | front (radiation area): | 80 cm |

2. Dimensions

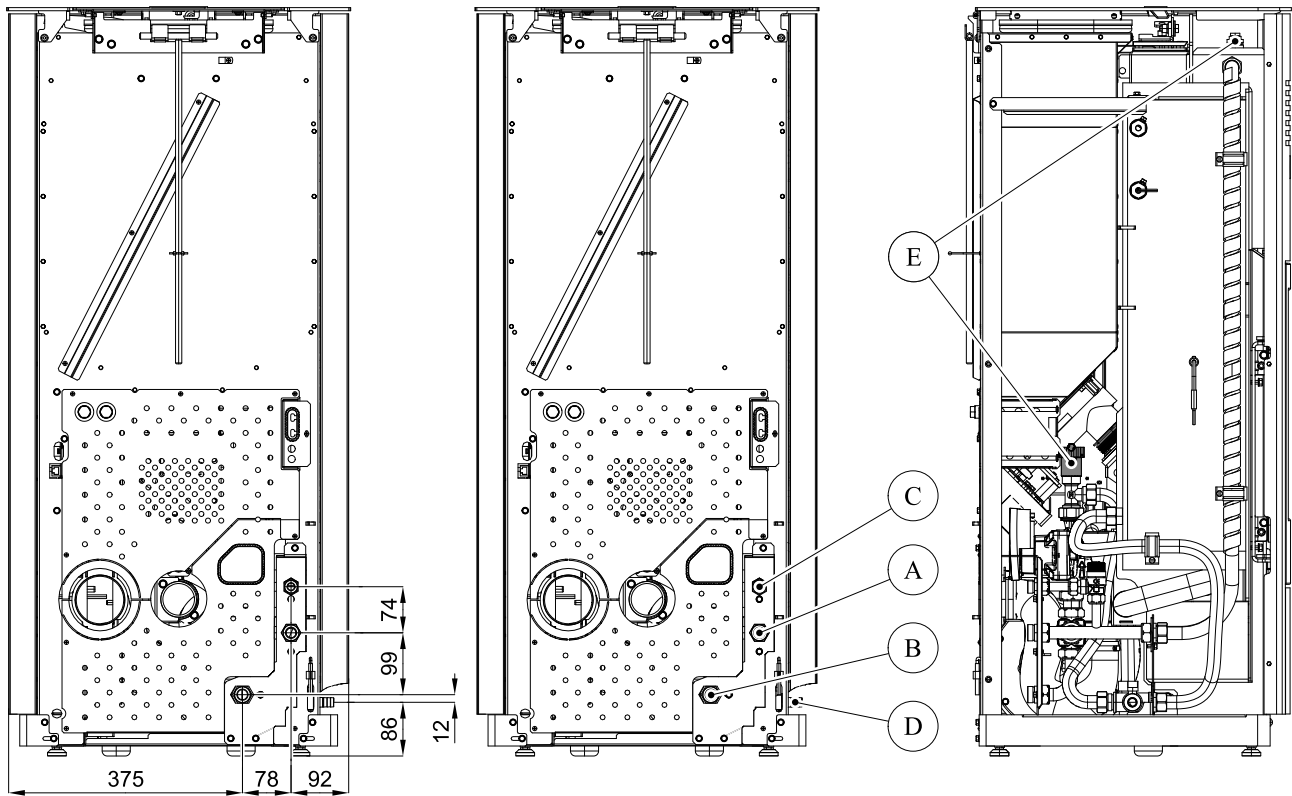
2.1. Dimensions

Dimensions



GB

2.2. Connection of the exchanger



| Item | Name |
|------|---|
| A | Heating water output (outside thread G3/4") |
| B | Return water intake (outside thread G3/4") |
| C | Outlet of the safety valve (outside thread G1/2") |
| D | Filling of the circulation system |
| E | Venting valve |

3. Cleaning work



WARNING

Before starting any cleaning work, the stove must be cool down!

Once the cleaning work is completed, the correct operating status of the device must be re-established: Put the combustion pot in correctly, close the combustion chamber door.

3.1. Cleaning the surface

Dirt on the upper surface of the stove may be cleaned off with a damp cloth or if necessary with mild soapy water. You are advised against using corrosive cleaning agents and solvents since these might damage the surfaces.

3.2. Cleaning the glass panel

To clean the viewing panel, you must first open the stove door. Dirt on the glass panel can be removed with a glass cleaner or with a damp sponge on which you have sprinkled some of the wood ash present. (Environmentally friendly). Cleaning the glass panel may only be done with a cooled down stove in the OFF operating mode.

3.3. Clean combustion chamber “function instruction” Error F040

- The whole combustion space must be cleaned after **30-hours operation at the latest, or once a week**.
- The requirement to clean the fire-box (flickering of the display) appears during heating, in case that the cleaning interval has elapsed.
- After the fire-box has been cleaned, the error message "Clean the fire-box" will be confirmed automatically. The condition for automatic confirmation of this error message is that the fire-box door is opened for more than **60 seconds**. This time is necessary for careful cleaning of the fore-box, including the burner.
- This reset of the operating hours counter occurs even if the cleaning of the combustion chamber is performed before the 30 operating hours have run provided that the stove is in “Off” operating status and the door is open for longer than 60 seconds during cleaning.

3.4. Cleaning the combustion pot - weekly

During operation, deposits may form in the combustion pot. How quickly the combustion pot becomes dirty depends solely on fuel quality. The deposits or encrustations must be removed from time to time.



WARNING

If this is not done, the clinker will continue to accumulate. Then the device will no longer be able to ignite properly. Pellets can pile up in the combustion pot. In extreme cases, this can reach all the way back to the pellet chute. Backfire in the pellet container and smouldering in the pellet tank might possibly result.

This will destroy your device and is not covered in your guarantee.



WARNING

Cleaning the combustion pot may only be done with a cooled down stove in “OFF” operating mode. Otherwise there is a risk of burns!

- Take out the burner bowl from the stove.
- Remove the remains of ashes and slag.
- After the cleaning, mount the burner bowl back to its proper position on the burner rest.
- Re-check the proper seating of the burner bowl, in order to avoid any lack of tightness.

4. Maintenance work



WARNING

Before starting any cleaning work, the stove must be cool down! The mains plug must be pulled out of the power supply socket (always in advance)!



WARNING

Devices that are not maintained in accordance with our specifications must not be operated. Failure to observe this point will invalidate all guarantee claims.

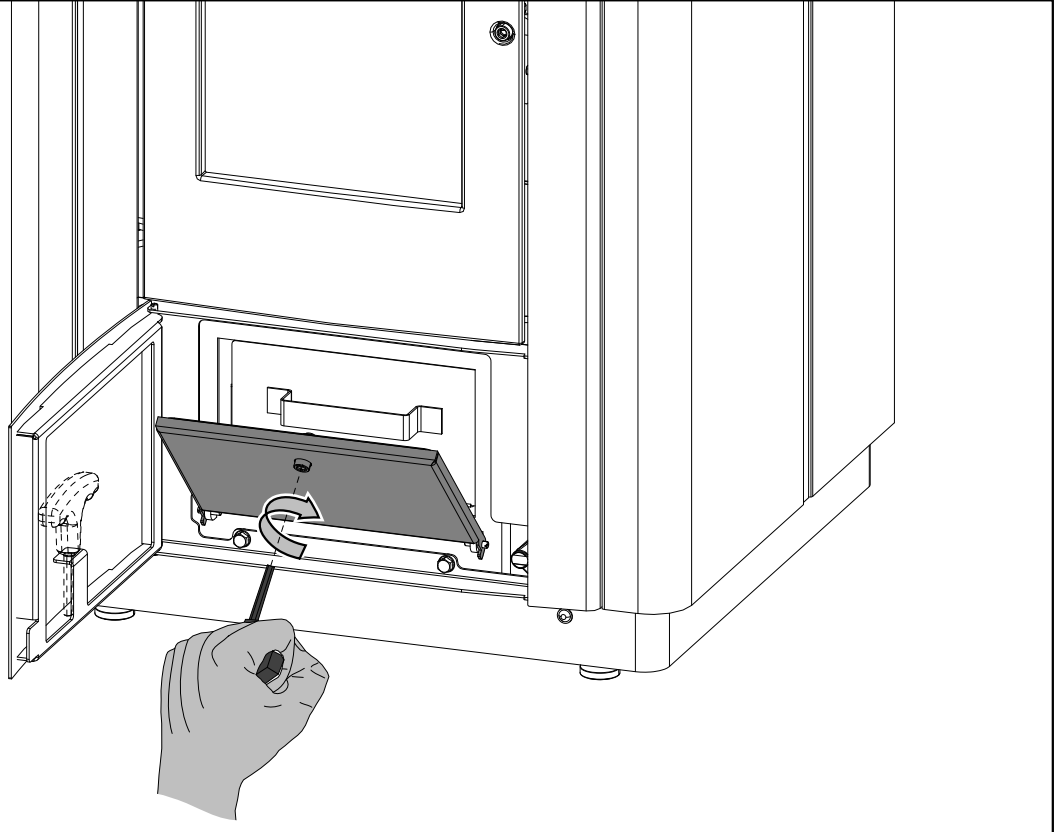
4.1. Cleaning of the ash pan - once a week



WARNING

The frequency of maintenance in turn depends to a large extent on the pellet quality (ash content). Quality pellets have a low ash content of about 0.2-0.3%. However, if the ash content is higher (0.5% and over), the interval from maintenance to maintenance is reduced and the accumulation of ash increases by 2 or 3 times.

1



2

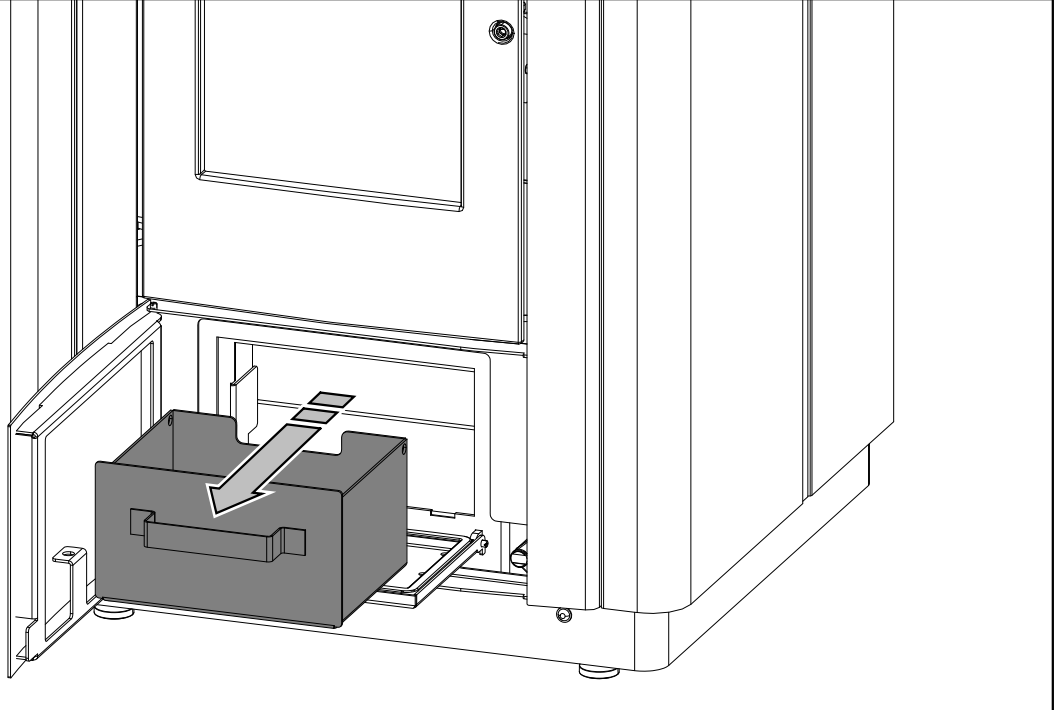


Figure 1

4.2. Cleaning of the exchanger - once a week



CAUTION

We recommend you to clean the conduits of combustion products and the exchanger once in a week.

Please perform the short-time cleaning in two steps:

4.2.1. Vertical cleaning of the exchanger

- For the purposes of vertical cleaning, move the cleaning lever 5 times at least, in compliance with the Fig. 2.

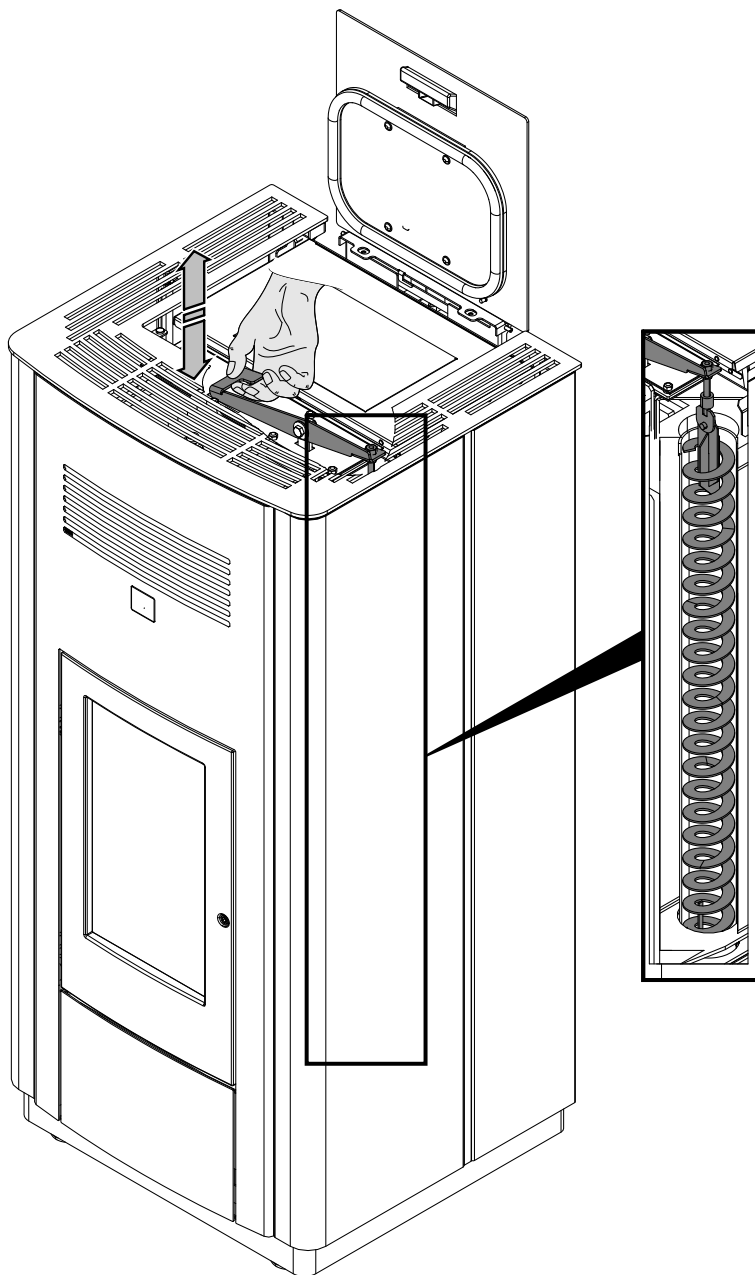
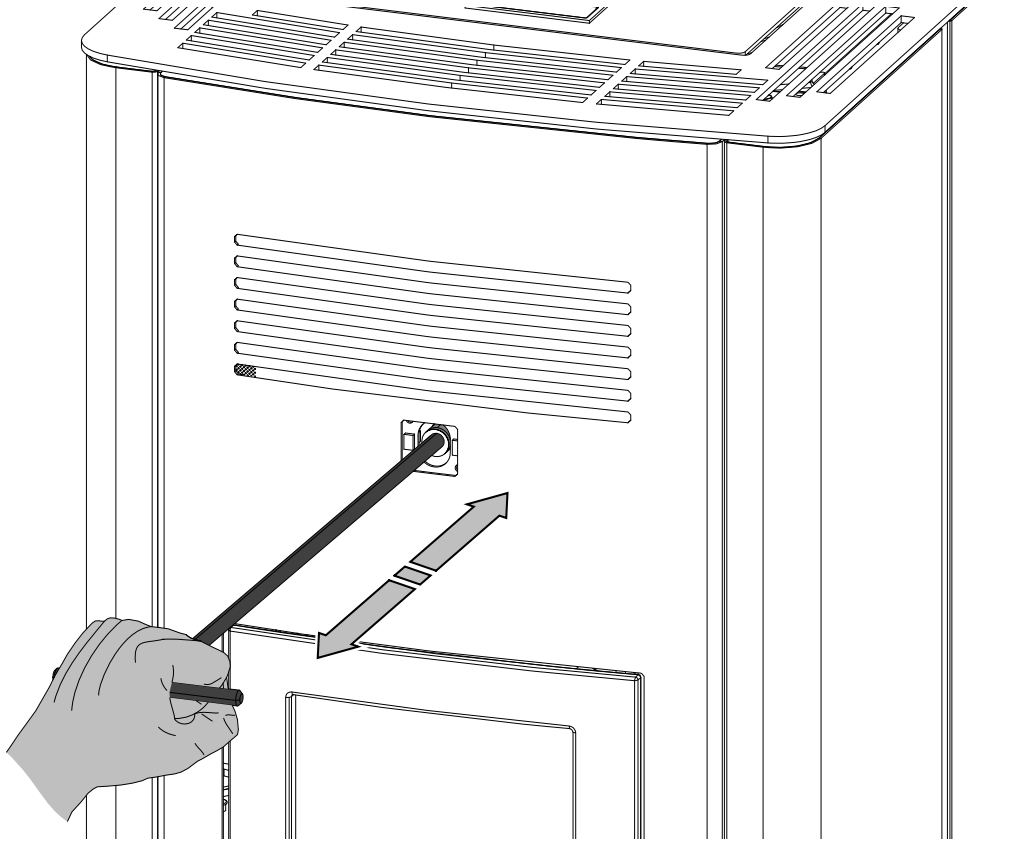


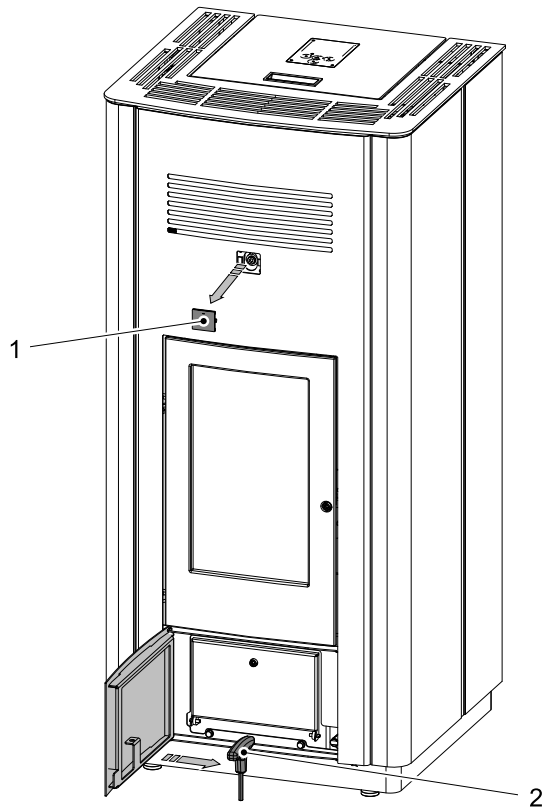
Figure 2

4.2.2. Horizontal cleaning of the conduits of combustion products

- Get the cleaning bar from the rear cover of the stove. Next, remove the cover plug and dismount the screw M10x70 by means of an Allen wrench, located behind the ash-pan door. After having finished the cleaning by means of the blade, mount the screw and fit the cover plug to their places again. (see Fig. 3a-3c).



1



2

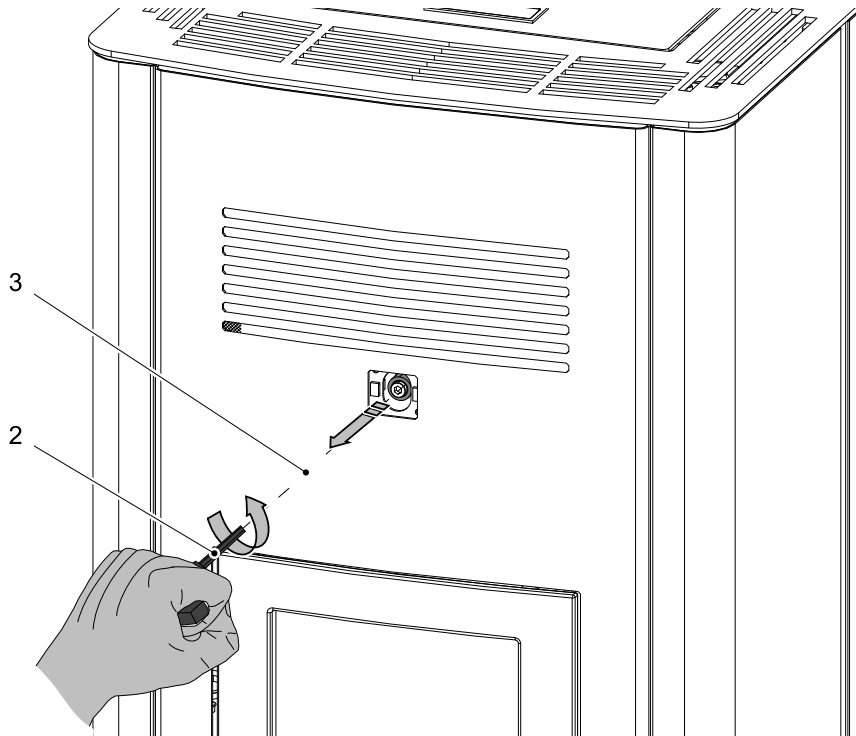
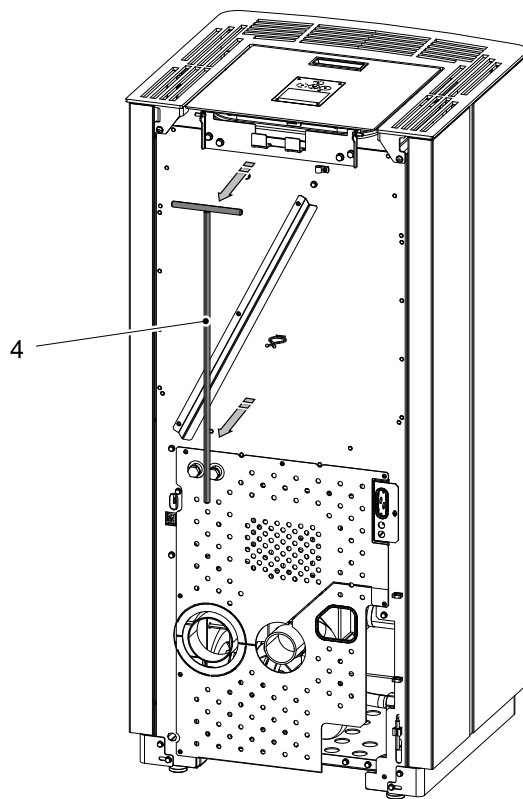


Figure 3a

3



4

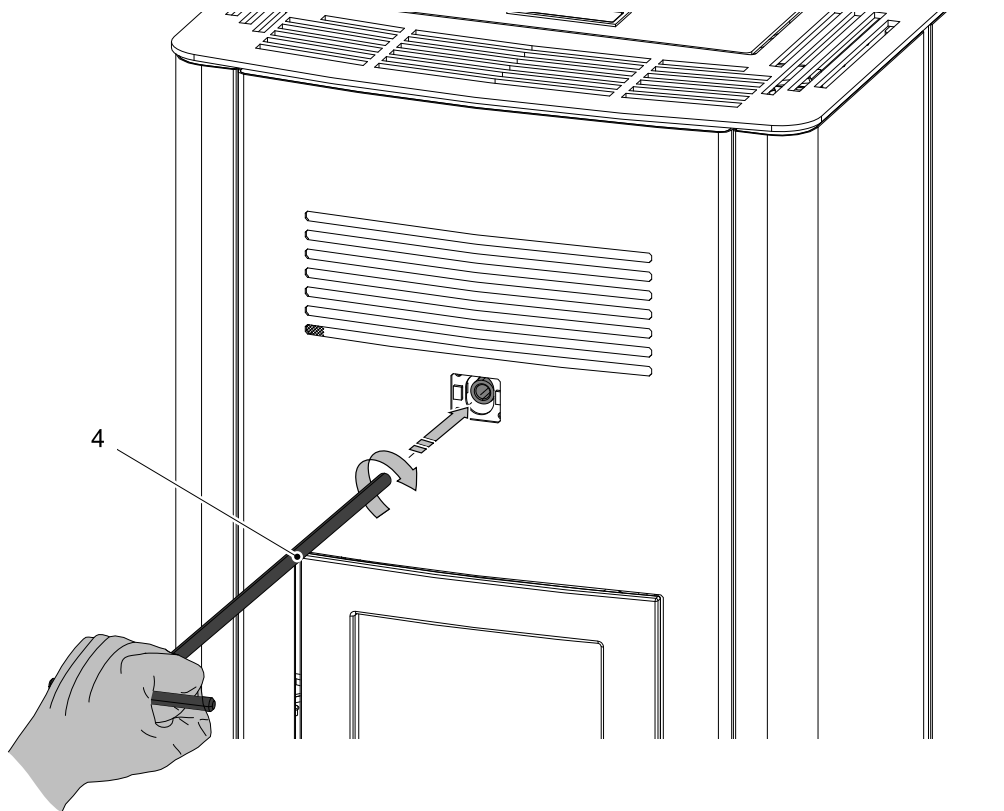
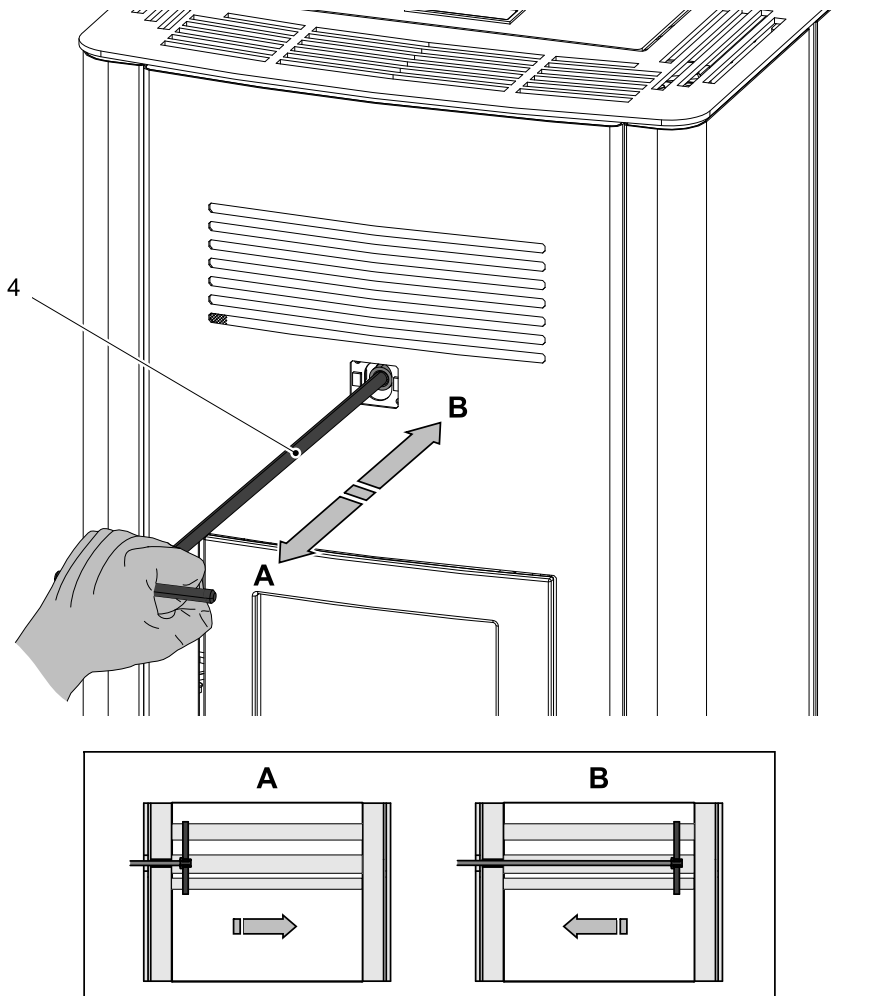


Figure 3b

5



6

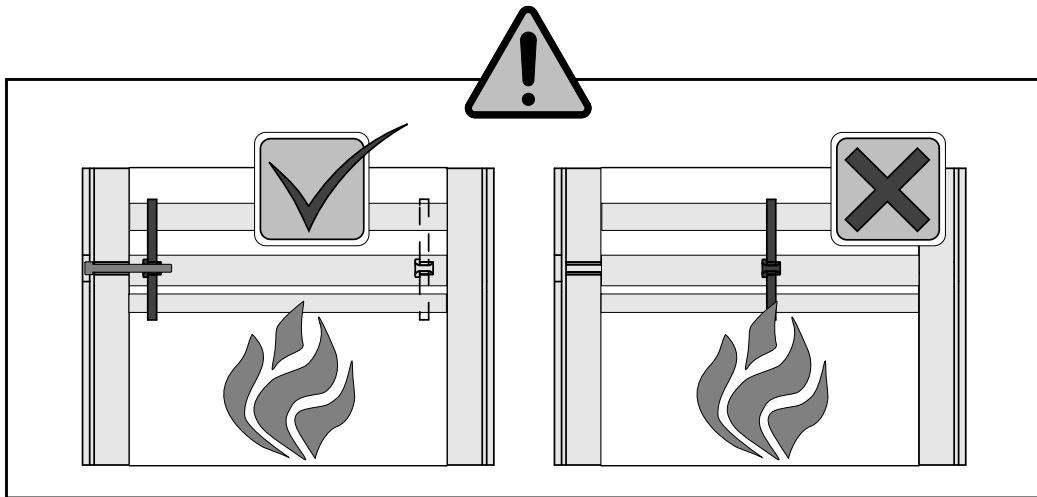


Figure 3c

| Pos. | Description | Piece | No. PR |
|------|---------------------|---------|---------------|
| 1 | Cover plug | 1 piece | 0553808006180 |
| 2 | Allen wrench 6mm | 1 piece | 9001700060005 |
| 3 | Screw M10x70 | 1 piece | 0030121000705 |
| 4 | Drawbar of cleaning | 1 piece | 0433317006063 |

4.3. Cleaning of the exchanger



CAUTION

Check and clean the flue-gas ways, exhaust (flue-gas) fan and flue-gas ducts at the latest after 1000 kg of pellets have been consumed. Clean with a brush or an ash extractor.



CAUTION

After completion of the cleaning make sure that when putting back the covers, the seals are seated in the right positions. It is essential to replace defective seals.

Please perform the long-time cleaning in two steps:

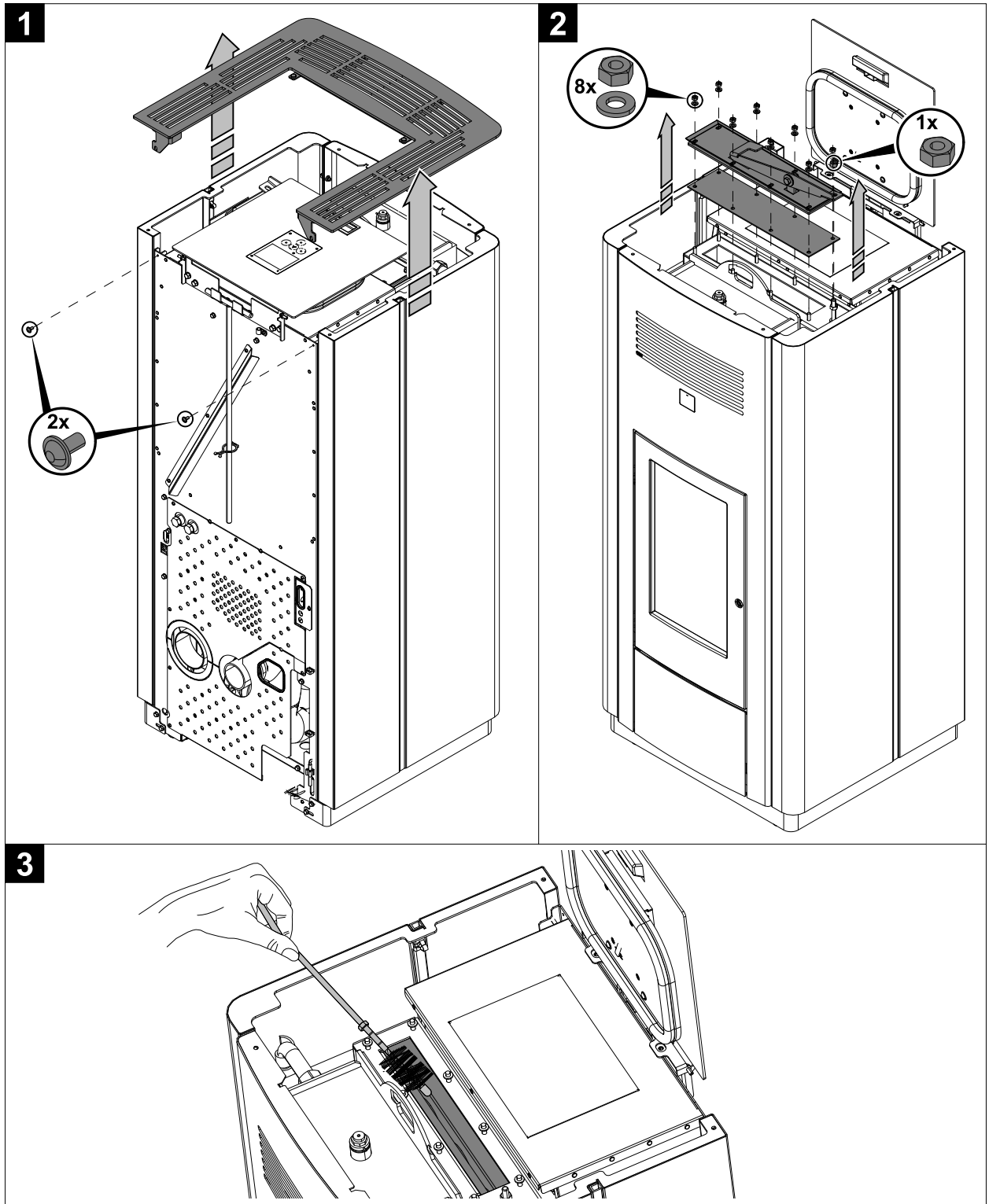


Figure 4

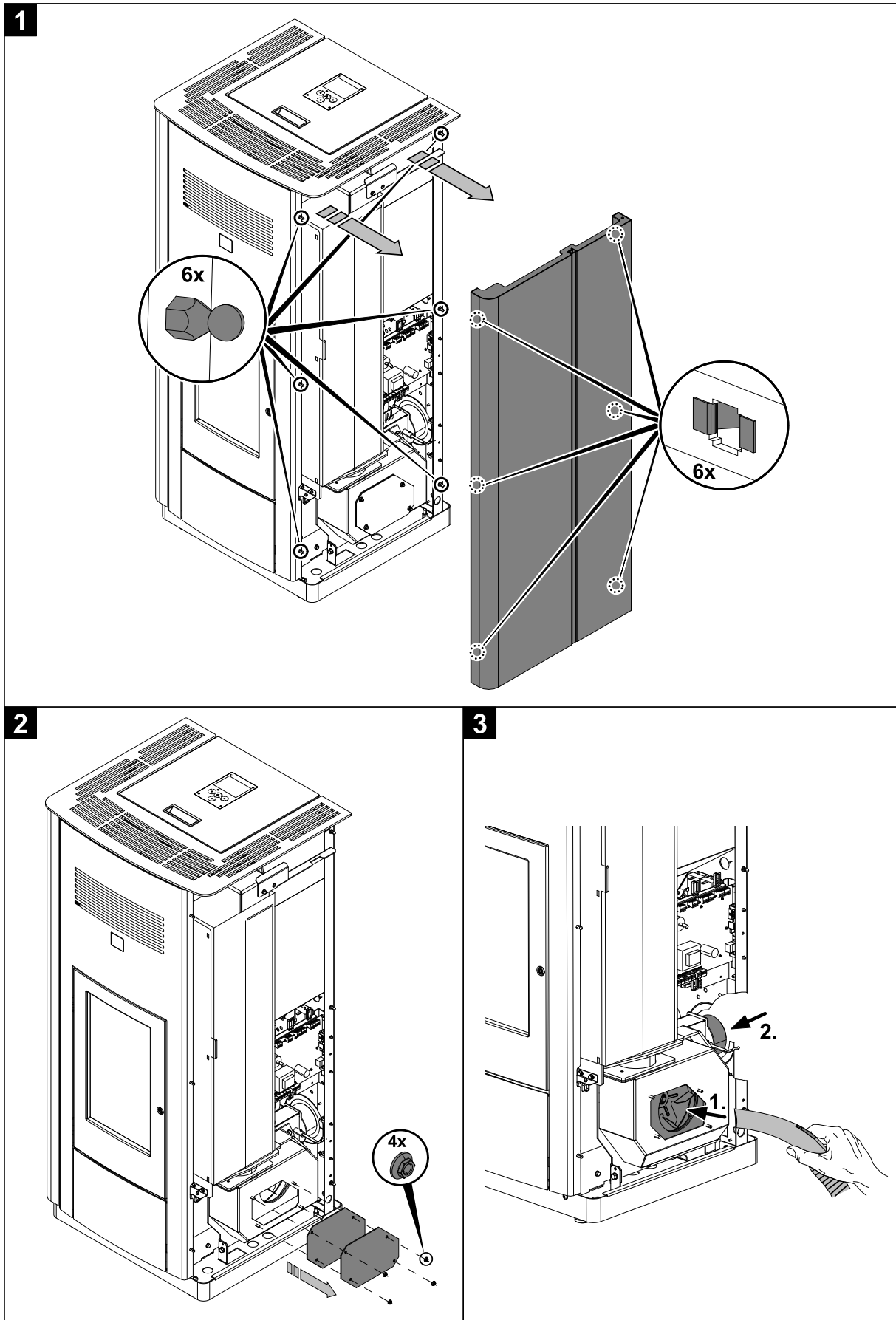


Figure 5: Removing the side wall

4.4. Cleaning the pellet container - annual maintenance

- Heat the pellet stove until the storage tank is completely empty.
- Then the protective grille (1) in the pellet tank may be removed.
- Then clean the tank and the intake of the screw conveyor housing with a vacuum cleaner.
- After cleaning, it is essential to put back the protective grille. When doing this, make sure that no screws fall into the pellet tank so as to avoid consequential damage to the screw conveyor.

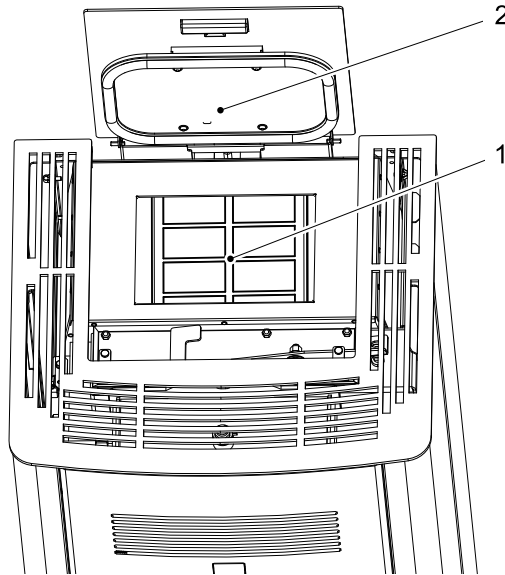
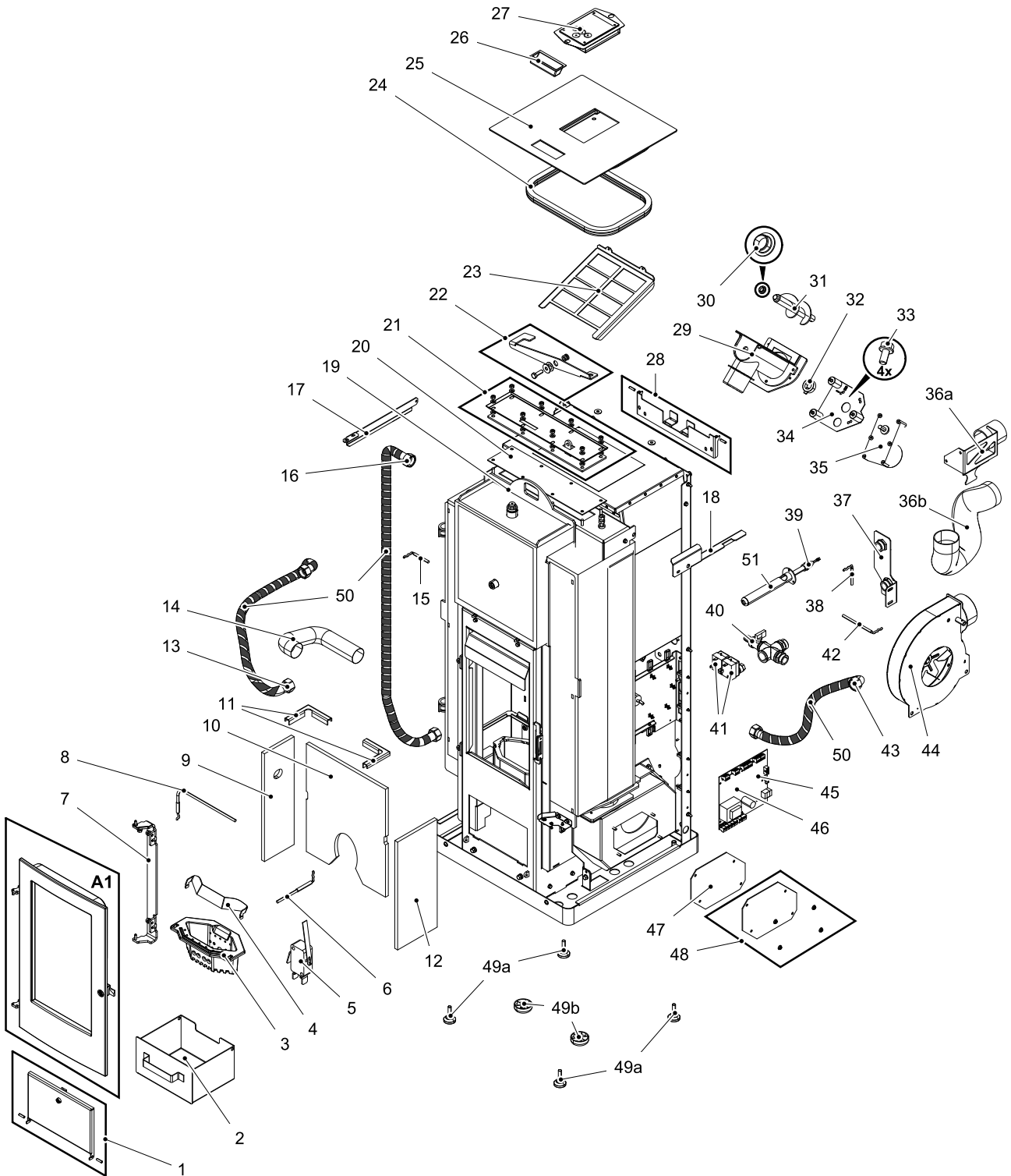


Figure 6: Pellet tank

- 1 Protective grille
- 2 Tank cover

5. Replacement parts list

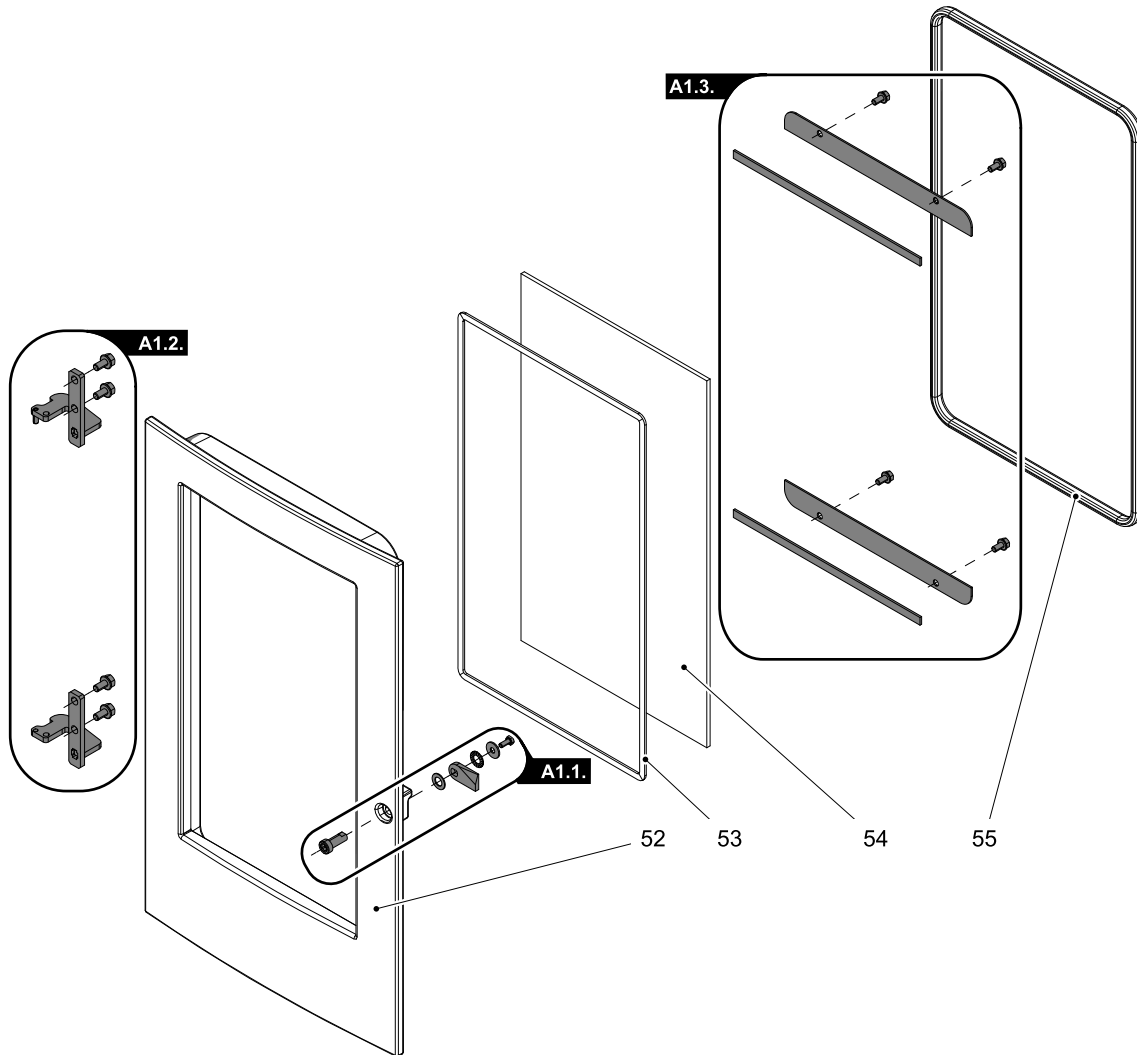
5.1. Replacement parts list HSP 6 537.08–WT RLU/PGI (without trim parts)



| Pos. | Description | Piece | No. PR |
|--|---|---------|---------------|
| Replacement parts list HSP 6 537.08–WT RLU/PGI (without trim parts) | | | |
| A1 | Complete combustion chamber door/black | 1 piece | 0553808005300 |
| A1 | Complete combustion chamber door/ anthracite | 1 piece | 0553808015300 |
| 1 | Ash-pan door/anthracite | 1 piece | 0553808005060 |
| 2 | Ash pan/anthracite | 1 piece | 0553808005600 |
| 3 | Burner cast/anthracite | 1 piece | 0553808005706 |
| 4 | Protection grate | 1 piece | 0551908006709 |
| 5 | Door contact switch | 1 piece | 0089500040005 |
| 6 | Bottom temperature sensor | 1 piece | 0561008005543 |
| 7 | Door hinge (complete)/anthracite | 1 piece | 0553808005400 |
| 8 | Flame temperature sensor | 1 piece | 0553808005541 |
| 9 | Combustion chamber cladding left | 1 piece | 0553808005040 |
| 10 | Combustion chamber cladding back | 1 piece | 0553808005041 |
| 11 | Holder of the fire-box lining le+ri/anthracite | 2 piece | 0553808005042 |
| 12 | Combustion chamber cladding right | 1 piece | 0553808005039 |
| 13 | Connecting pipe 3/4 L=670 | 1 piece | 0553808005903 |
| 14 | Hose Meniflex L=300 | 1 piece | 0553808005315 |
| 15 | Room temperature sensor | 1 piece | 0089500390005 |
| 16 | Connecting pipe 3/4 L=1100 | 1 piece | 0553808005902 |
| 17 | Framework left | 1 piece | 0553808005021 |
| 18 | Framework right | 1 piece | 0553808005022 |
| 19 | Venting valve | 1 piece | 0088600005270 |
| 20 | Seal | 1 piece | 0553808005026 |
| 21 | Shielding of the cleaning orifice - Set | 1 piece | 0553808005025 |
| 22 | Cleaning lever/anthracite | 1 piece | 0553808005023 |
| 23 | Protective grille | 1 piece | 0553808005931 |
| 24 | Seal, tank cover (1000 mm) | 1 piece | 0546608005189 |
| 25 | Tank cover/anthracite | 1 piece | 0553808005190 |
| 26 | Grip | 1 piece | 0089500940005 |
| 27 | Operator console | 1 piece | 0571207005510 |
| 28 | Cover hinge pins DIN 427 M5x18 | 1 piece | 0553808005015 |
| 29 | Conveyor | 1 piece | 0571207015060 |
| 30 | Lower screw conveyor bearing | 1 piece | 0571207005026 |
| 31 | Screw conveyor | 1 piece | 0571207005030 |
| 32 | Collet | 1 piece | 0089000340009 |

| | | | |
|------------|--|---------|---------------|
| 33 | Screw UN5950 M5x10 | 4 piece | - |
| 34 | Motor plate - set | 1 piece | 0551908007080 |
| 35 | Screw conveyor motor | 1 piece | 0089500000006 |
| 36a | Air inlet funnel | 1 piece | 0553808015320 |
| 36b | Hose Meniflex AL L=500 | 1 piece | 0553808005322 |
| 37 | Entry to the panel of flanges | 1 piece | 0553808005901 |
| 38 | Room temperature sensor | 1 piece | 0089500390005 |
| 39 | Ignition | 1 piece | 0541908005202 |
| 40 | Outlets of the hydraulic system – cock+Ms Cross+inserts – set | 1 piece | 0088600000055 |
| 41 | OC | 2 piece | 0089500080005 |
| 42 | Flue gas thermosensor | 1 piece | 0561008005540 |
| 43 | Conecting pipe L=550 | 1 piece | 0553808005904 |
| 44 | Induced draught fan | 1 piece | 0553808005808 |
| 45 | Complete control unit | 1 piece | 0553808005569 |
| 46 | Backup battery CR 2032 | 1 piece | - |
| 47 | Seal (191x136x4) | 1 piece | 0553808005805 |
| 48 | Tank cover + screw | 1 piece | 0553808005806 |
| 49a | Stand | 4 piece | 0551908506005 |
| 49b | Stand | 2 piece | 0089501090005 |
| 50 | Spiral guard cover (1950 mm) | 1 piece | 0089501160005 |
| 51 | Lighter case | 1 piece | 0553808005215 |

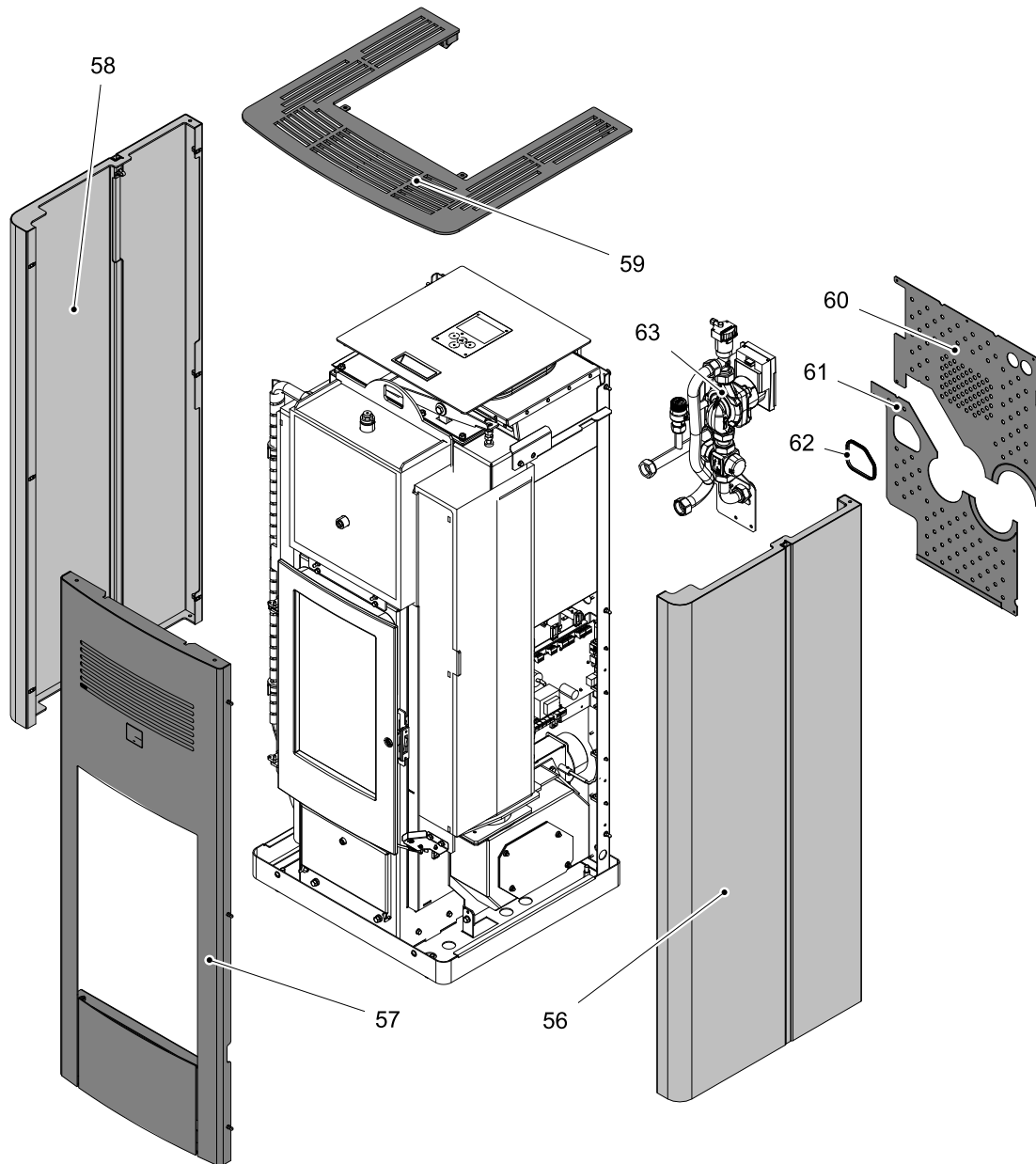
5.2. Detail A1



GB

| Pos. | Description | Piece | No. PR |
|------------------|------------------------------------|---------|---------------|
| Detail A1 | | | |
| A1.1. | Screwing door — set | 1 piece | 0551908005001 |
| A1.2. | Door hinge/black — set | 1 piece | 0553808006340 |
| A1.2. | Door hinge/anthracite — set | 1 piece | 0553808005340 |
| A1.3. | Glass holder/black — set | 1 piece | 0551908035308 |
| A1.3. | Glass holder/anthracite — set | 1 piece | 0551908005308 |
| 52 | Combustion chamber door/black | 1 piece | 0541908007220 |
| 52 | Combustion chamber door/anthracite | 1 piece | 0541908005220 |
| 53 | Seal glass 10x4 mm (900 mm) | 1 piece | 0040210040005 |
| 54 | Door glass (383x224x4) | 1 piece | 0551908005305 |
| 55 | Seal door 11 mm (1306 mm) | 1 piece | 0040300110006 |

5.3. Replacement parts list HSP 6 537.08–WT RLU/PGI



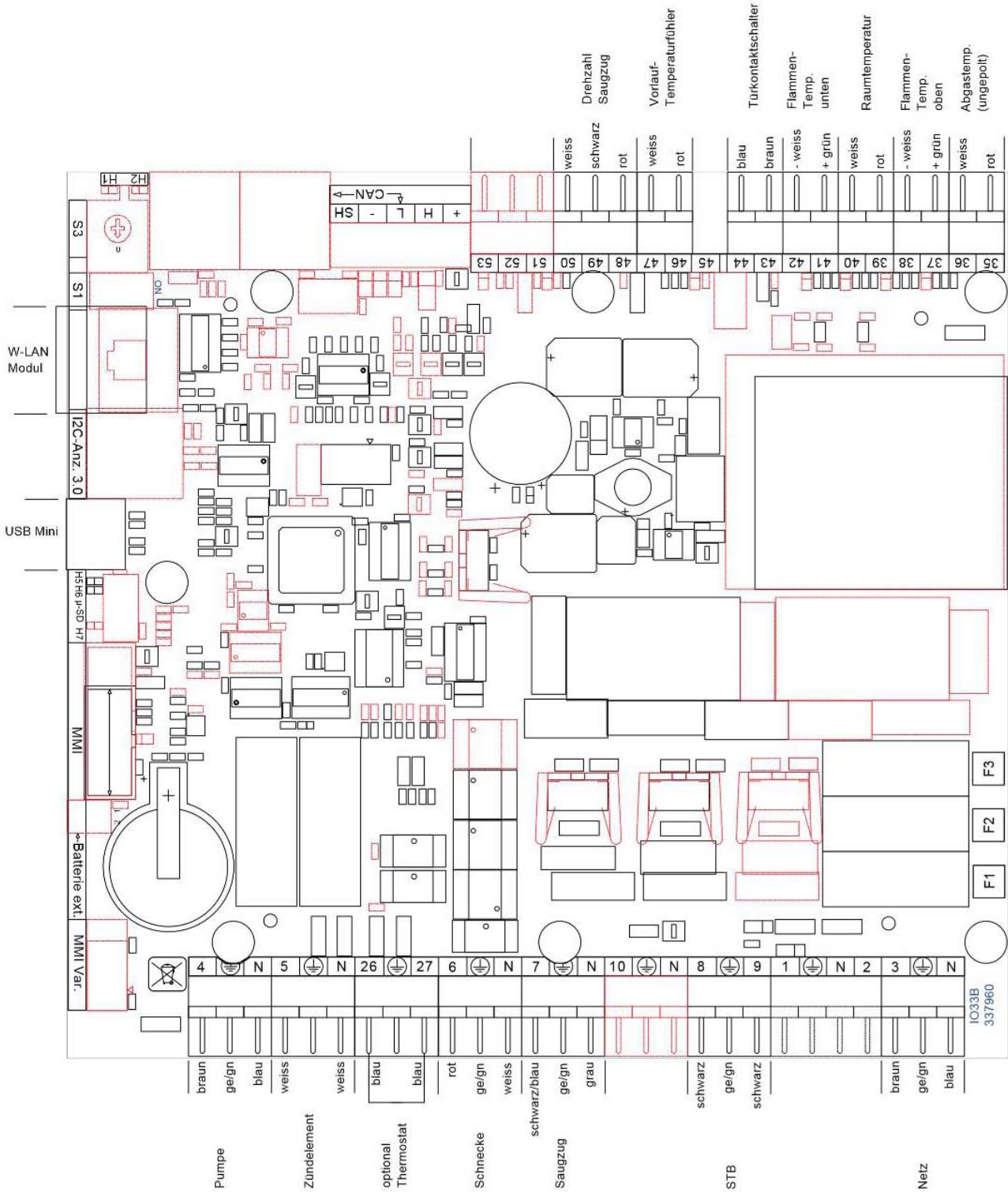
| Pos. | Description | Piece | No. PR |
|---|---------------------------------|---------|---------------|
| Replacement parts list HSP 6 537.08–WT RLU/PGI | | | |
| 56+58 | Side wall left+right/anthracite | 2 piece | 0553808006140 |
| 56+58 | Side wall left+right/white | 2 piece | 0553808016140 |
| 57 | Front plate/anthracite | 1 piece | 0553808016120 |
| 57 | Front plate/anthracite-black | 1 piece | 0553808006120 |
| 59 | Cover plate/anthracite | 1 piece | 0553808017160 |
| 60 | Back wall upper | 1 piece | 0553808006118 |
| 61 | Back wall lower | 1 piece | 0553808006119 |
| 62 | Edge cover (225 mm) | 1 piece | 0089500640005 |
| 63 | Hydraulik-modul Set | 1 piece | 0553808114000 |

6. Circuit diagram

Circuit diagram IO 33.6

Circuit diagram

GB



Description Circuit diagram:

| | |
|-------|--|
| No.: | Description Cable harness |
| 3 | Mains plug / mains filter |
| 4 | Pump |
| 5 | Electric ignition |
| 26/27 | Storage tank thermostat: optional* |
| 6 | Screw conveyor motor |
| 7 | Induced draught |
| 8/9 | OC |
| 35/36 | Flue gas temperature sensor |
| 37/38 | Flame temperature sensor |
| 39/40 | Room temperature sensor |
| 41/42 | Bottom flame temperature sensor TFL 2 |
| 43/44 | Door contact switch |
| 46/47 | Temperature sensor on the input |
| 48-50 | Flue gas fan rotation speed |
| F1 | Fuse T 3,15A ignition, induced draught fan, screw conveyor motor |
| F2 | Fuse T 3,15A pump |
| F3 | Fuse T 0,315A operator console |

* You can use the following types of thermostats for the storage tank:
(not supplied by Haas + Sohn)

Afriso 7P1



Watts Industries TC-200-AN



