



HAAAS
+
SOHN

London II

Equipment sheet
Fireplace stove

GB

Notes in the text



Of utmost importance there are the notes entitled **WARNING**. The notes entitled **WARNING** advise you on **serious danger of damage to the heating device or of an injury**.



The note entitled **Notice** advises you on possible damage to your heating device.



The note entitled **Important** calls your attention to the information important for the operation of your heating device.



The note itself calls your attention to the information important for the operation of your heating device in general.

Contents

1. Technical data	1
1.1. Suitable fuel, stoking amount of fuel	1
2. Technical description	2
2.1. Version - ceramics	2
2.2. Version - metal sheet.....	3
3. List of spare parts	4
3.1. Overall scheme of the model (version - ceramics).....	4
3.2. Scheme of the model (version - metal sheet)	5
3.3. Detail A1	6
4. Dimensioned diagram	7
5. Change of the smoke neck	8
5.1. Version - ceramics	8
5.2. Version - metal sheet.....	9

1. Technical data

	Block wood
Achievable heat output	8,2 kW
Nominal heat output	8 kW
Energy efficiency	80.1 %
Average concentration of CO at 13% O ₂	977 mg/Nm ³
Average concentration of dust at 13% O ₂	22.5 mg/Nm ³
Average concentration of NOx at 13% O ₂	98 mg/Nm ³
Average concentration of CO at 0% O ₂	661 mg/MJ
Average concentration of dust at 0% O ₂	15.3 mg/MJ
Average concentration of NOx at 0% O ₂	66.5 mg/MJ
Three values of combustion products (three specific output parameters of chimneys)	
Amount of combustion products at nominal output	6,5 g/s
Temperature of combustion products in the smoke flue neck	278 °C
Minimum draft of the chimney at nominal heat output	12 Pa

Safety distances

Minimal distances from flammable materials:	side:	40 cm
	rear:	40 cm
	front (radiation area):	80 cm

1.1. Suitable fuel, stoking amount of fuel

Fuel:	Max. stoking amount of fuel
Block wood:	2 - 3 logs (max. 2,5 kg)
Length of wood logs:	Max. 50 cm
Saw-dust briquettes (DIN51731):	1 - 2 wooden briquettes (max. 2.2 kg)
Lignite briquette:	2 - 3 brown-coal briquettes (max. 1.6 kg)



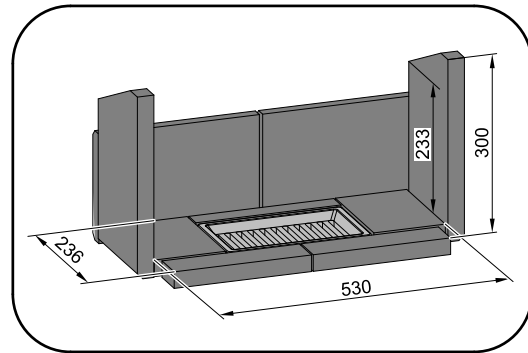
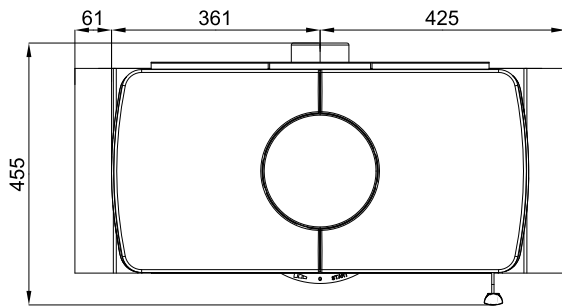
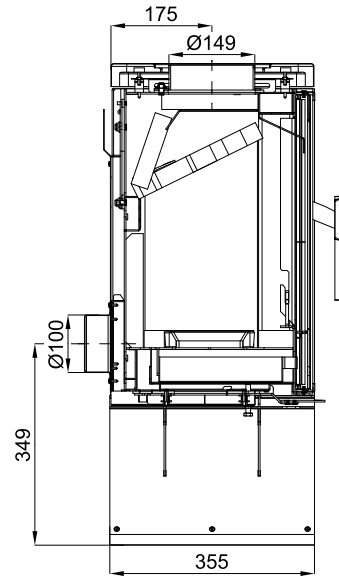
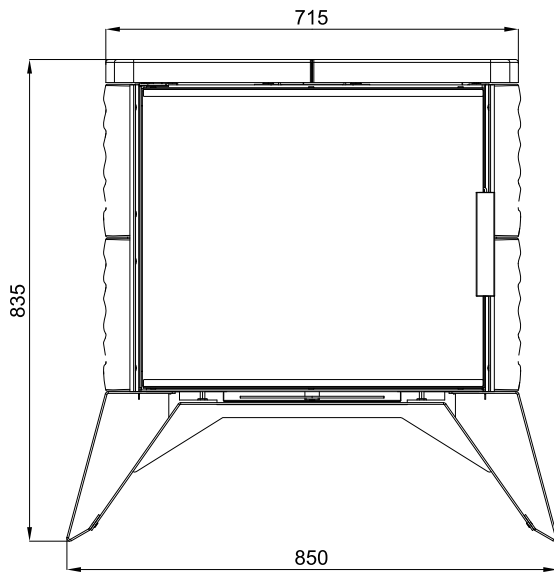
Note

When heating with wood stock, employ solely the types of wood which have been stored for two years and their residual humidity is at most 17 %.

2. Technical description

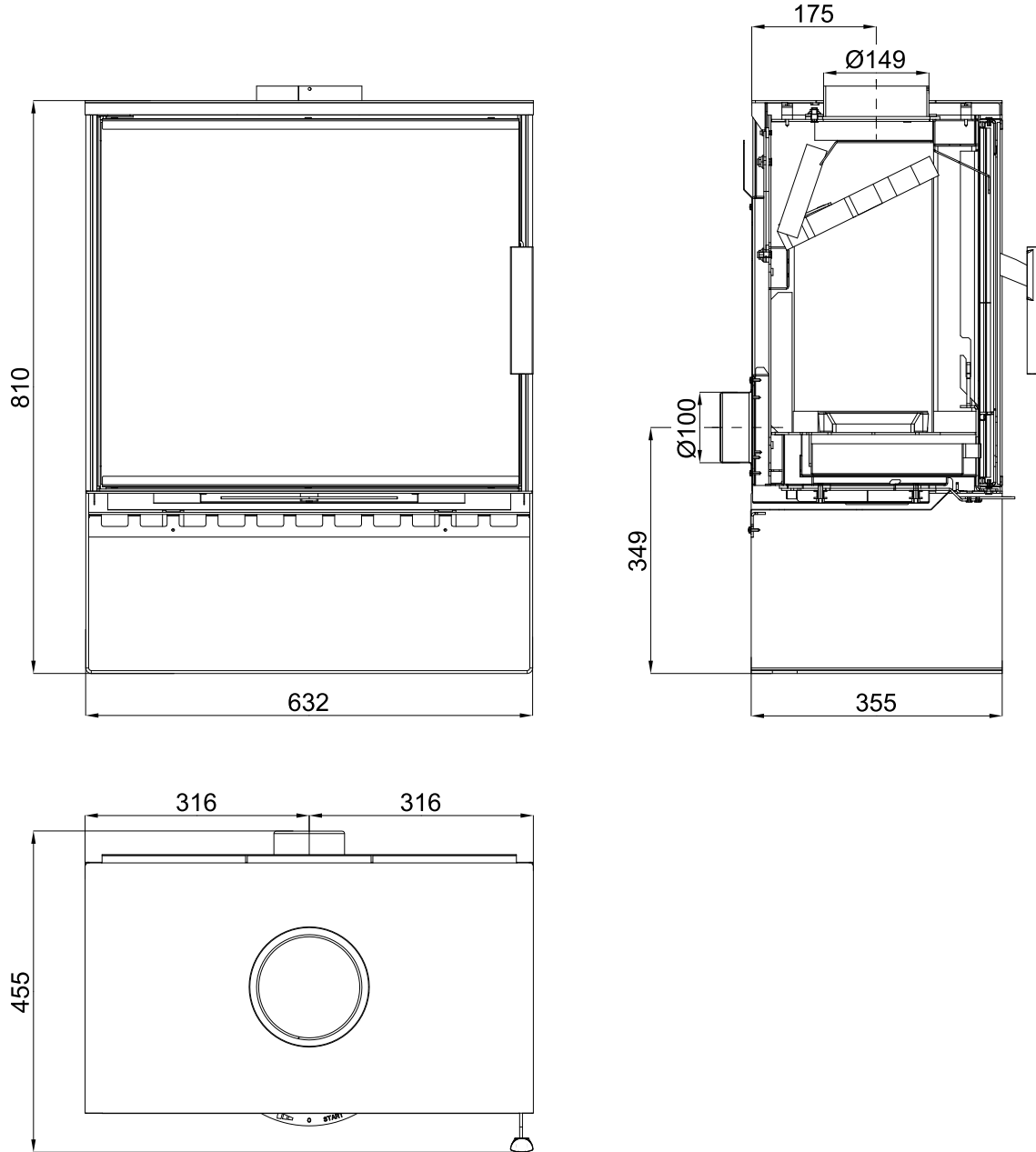
2.1. Version - ceramics

Technical description



GB

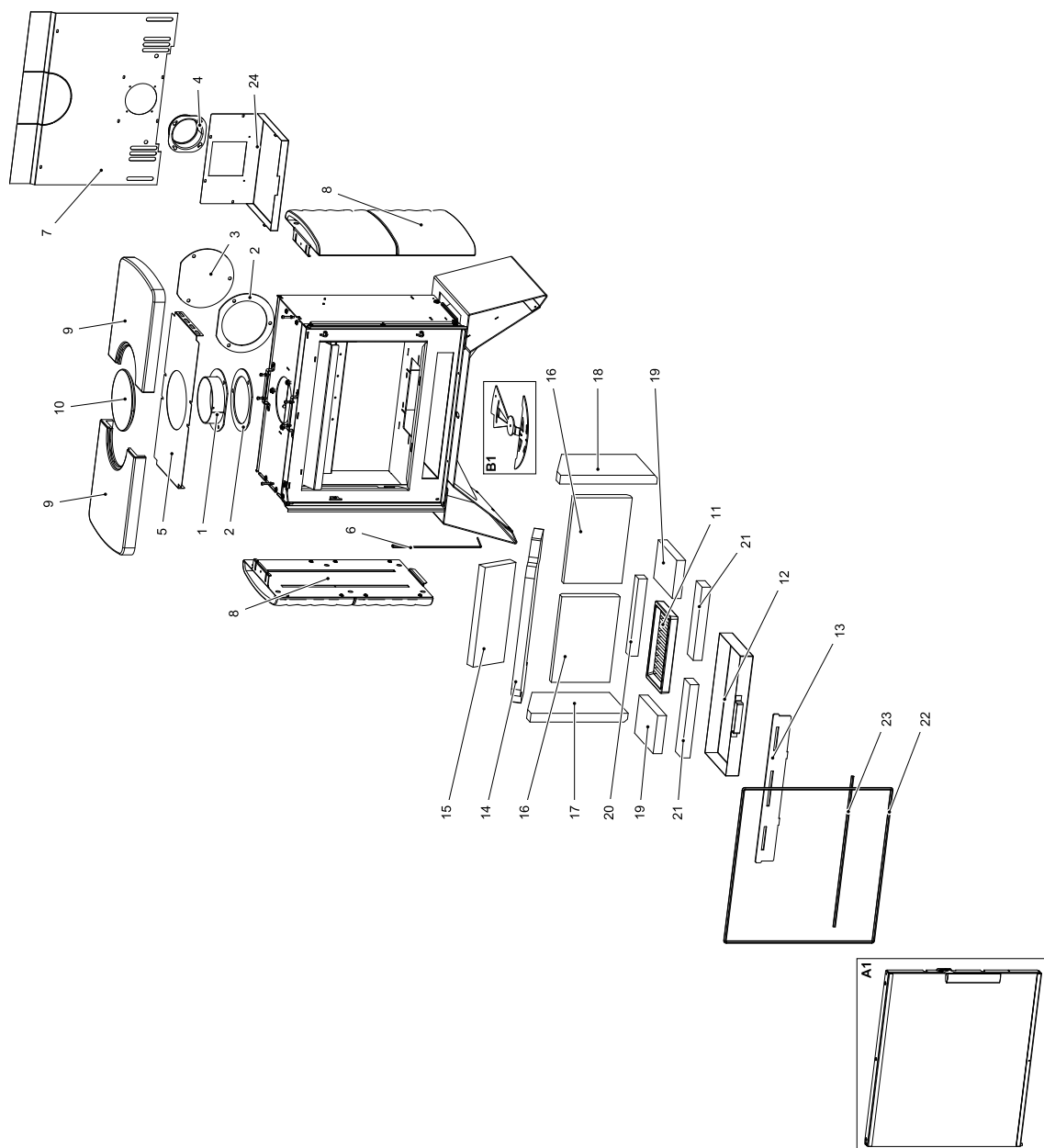
2.2. Version - metal sheet



3. List of spare parts

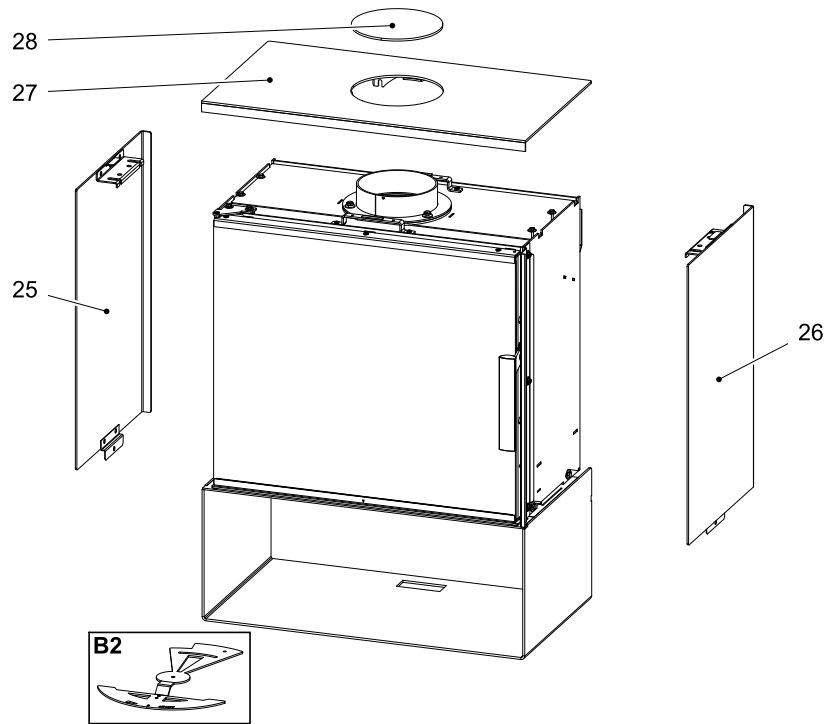
3.1. Overall scheme of the model (version - ceramics)

List of spare parts



GB

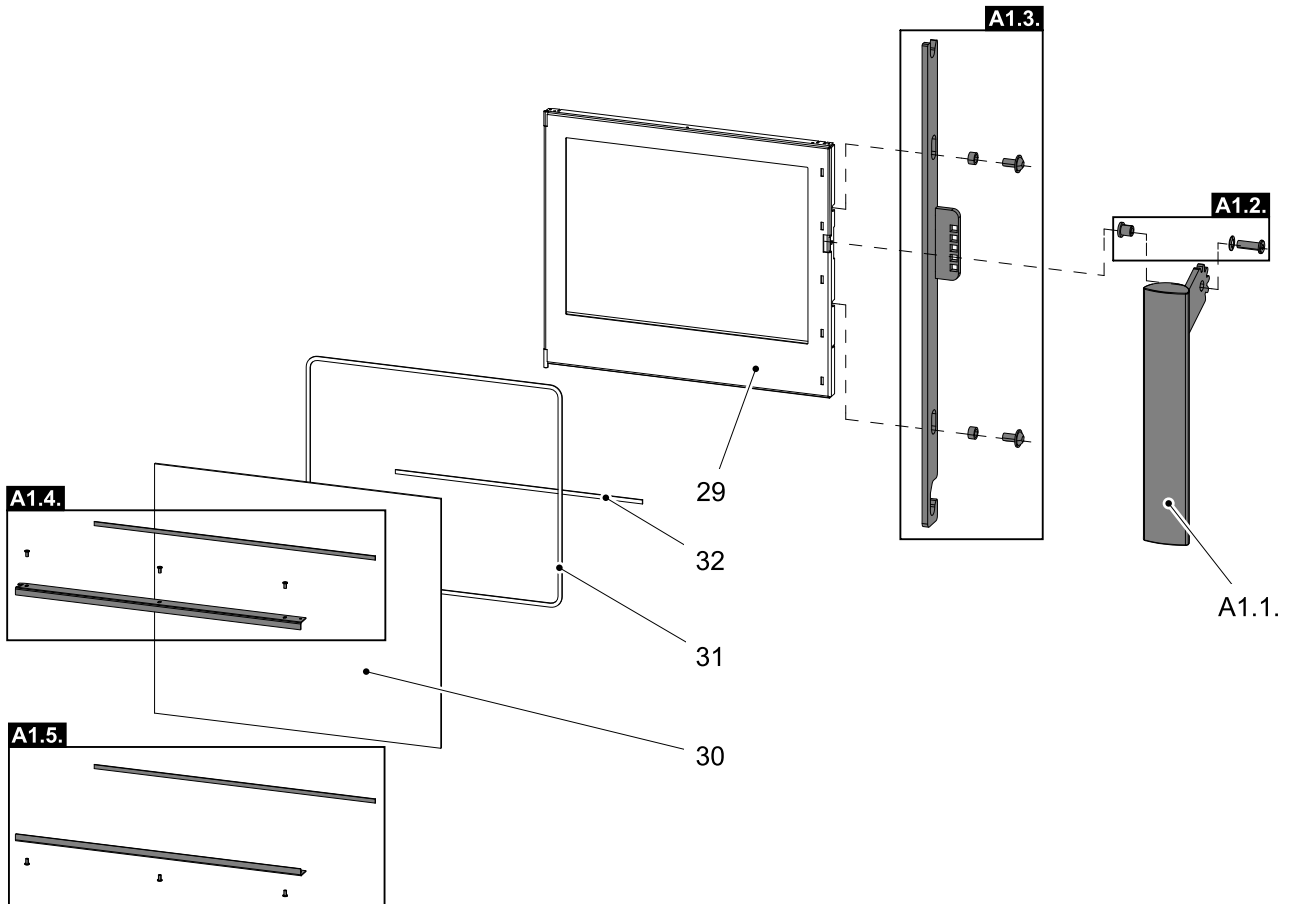
3.2. Scheme of the model (version - metal sheet)



Item	Name	Quantity	Number of goods
Overall scheme of the model			
A1	Fire-box door (complete)/anthracite	1 piece	0434715005300
B1	Easycontrol — set	1 piece	0434715015023
B2	Easycontrol — set	1 piece	0434715565023
1	Smoke flue neck/anthracite	1 piece	0434215006049
2	Smoke flue sealing	1 piece	0429415005060
3	Smoke flue blind flange /anthracite	1 piece	0429415006048
4	External air input (Ø100)	1 piece	0088500050008
5	Upper shielding	1 piece	0434715005042
6	Door spring	1 piece	0434715005316
7	Rear cover/anthracite	1 piece	0434715505040
8	Lateral lining/white	1 piece	0434715005035
9	Upper lining/white	1 piece	0434715005011
10	Upper blind flange/white	1 piece	0434715006009
11	Grate	1 piece	0020100130005
12	Ashpan	1 piece	0434715005700
13	Protection/anthracite	1 piece	0434715005013
14	Screen loose (560x240x30)	1 piece	0434715005510
15	Screen loose — rear (340x130x30)	1 piece	0434715005507
16	Brick 198x292x30	1 piece	0434715005501
17	Brick 330x193x30	1 piece	0434715005503
18	Brick 330x193x30	1 piece	0434715005509
19	Brick 130x190x30	1 piece	0434715005504
20	Brick 264x35x30	1 piece	0434715005505
21	Brick 250x60x30	1 piece	0434715005506
22	Door sealing cord - 12 mm (2050 mm)	1 piece	0040012120005
23	Door sealing cord - 12 mm (510 mm)	1 piece	0040012120005

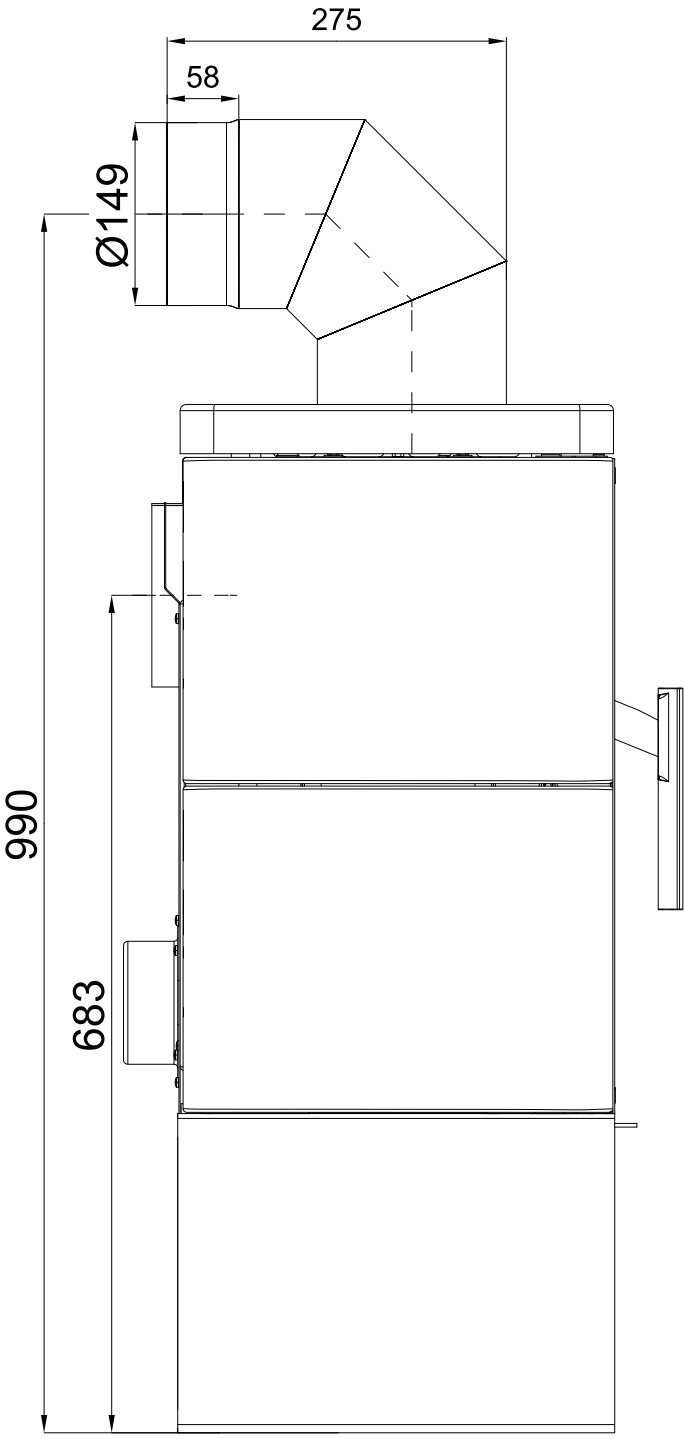
24	Control Easycontrol	1 piece	0434715535024
25	Lateral cover — left/anthracite	1 piece	0434715555016
26	Lateral cover — right/anthracite	1 piece	0434715555015
27	Lid/anthracite	1 piece	0434715106030
28	Lid blind flange/anthracite	1 piece	0434715106023

3.3. Detail A1



Item	Name	Quantity	Number of goods
Detail A1			
A1.1.	Fire-box door lever lock (complete)	1 piece	0434715005320
A1.2.	Handle connecting material — set	1 piece	0434715005012
A1.3.	Closing mechanism drawbar — set/anthracite	1 piece	0434715005325
A1.4.	Upper glass holder — set/anthracite	1 piece	0434715005311
A1.5.	Lower glass holder — set/anthracite	1 piece	0434715005310
29	Fire-box door (welded part)/anthracite	1 piece	0434715005200
30	Refractory glass (512x591)	1 piece	0434715005301
31	Glass sealing cord - 6 mm (1950 mm)	1 piece	0040406000005
32	Glass sealing cord - 6 mm (510 mm)	1 piece	0040406000005

4. Dimensioned diagram



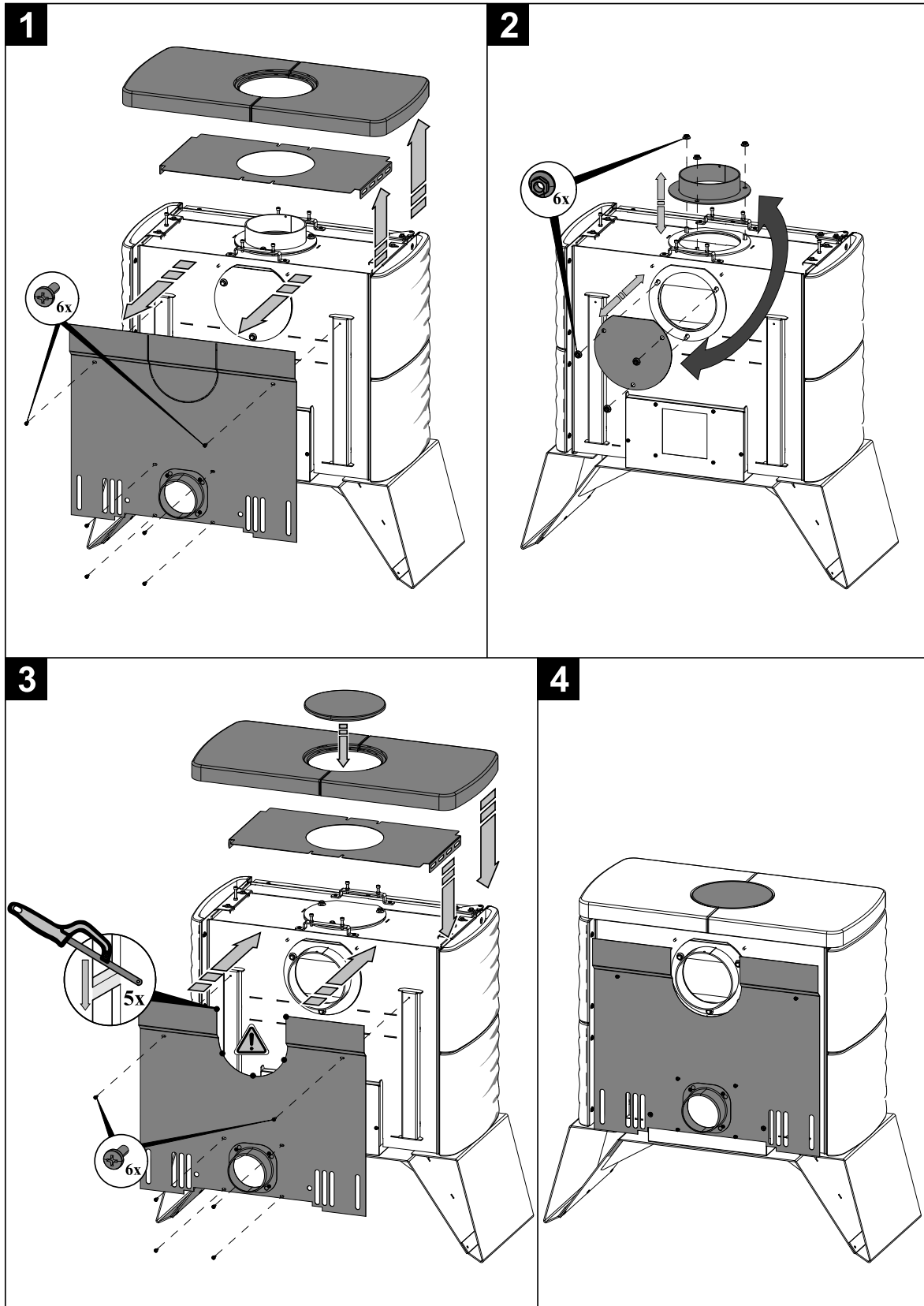
Dimensioned diagram

GB

5. Change of the smoke neck

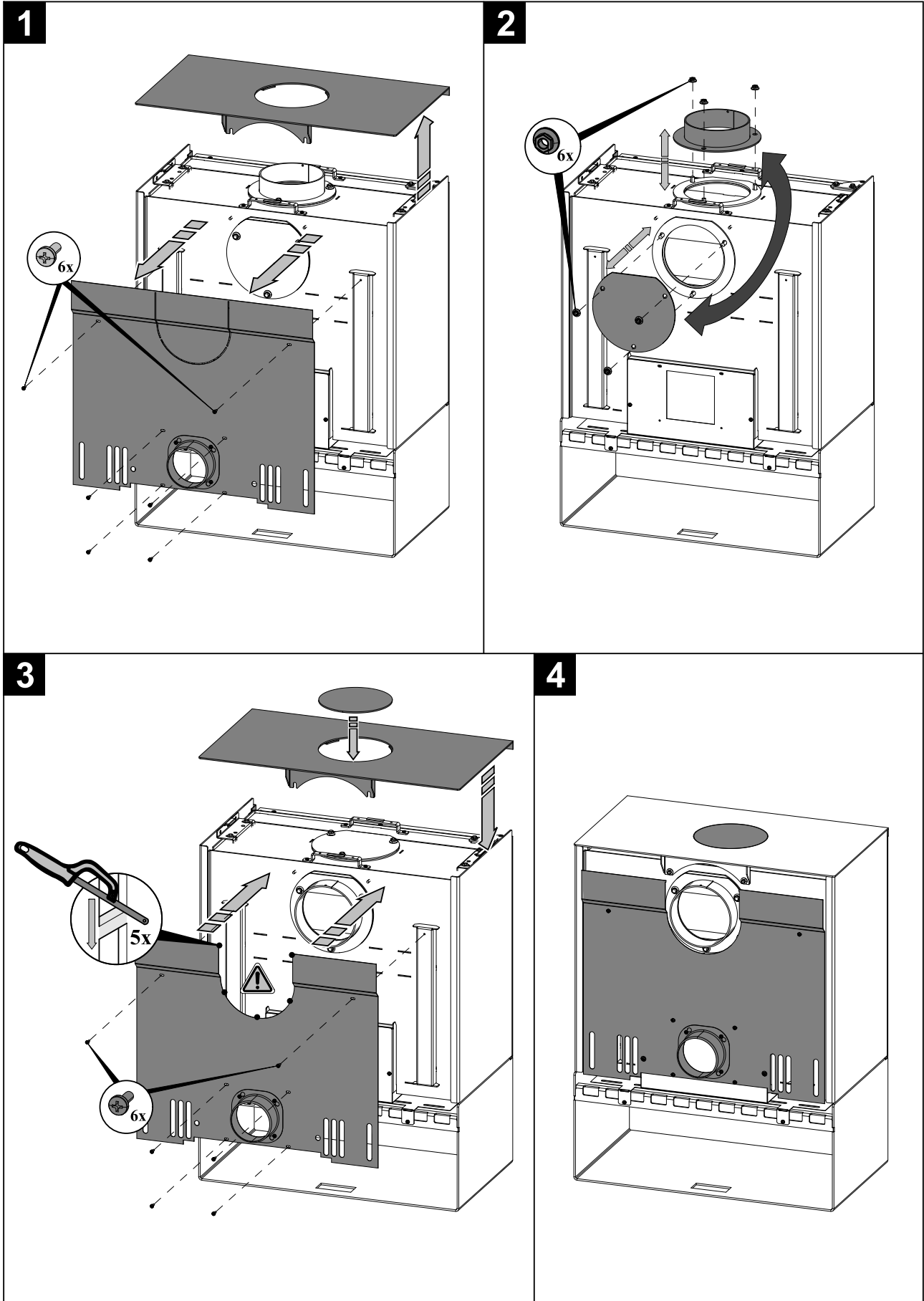
5.1. Version - ceramics

Change of the smoke neck



GB

5.2. Version - metal sheet



Change of the smoke neck

GB

