

Complete specification of the fireplace stove AQUARIS 336.15 WT



Suitable fuels

For the combustion in your fireplace stove, the following fuels are recommended (see also the chapter 5.1.):
Dry, well-seasoned wood in natural state,
wood briquettes according to DIN 51731; coal briquettes 6" and 7".

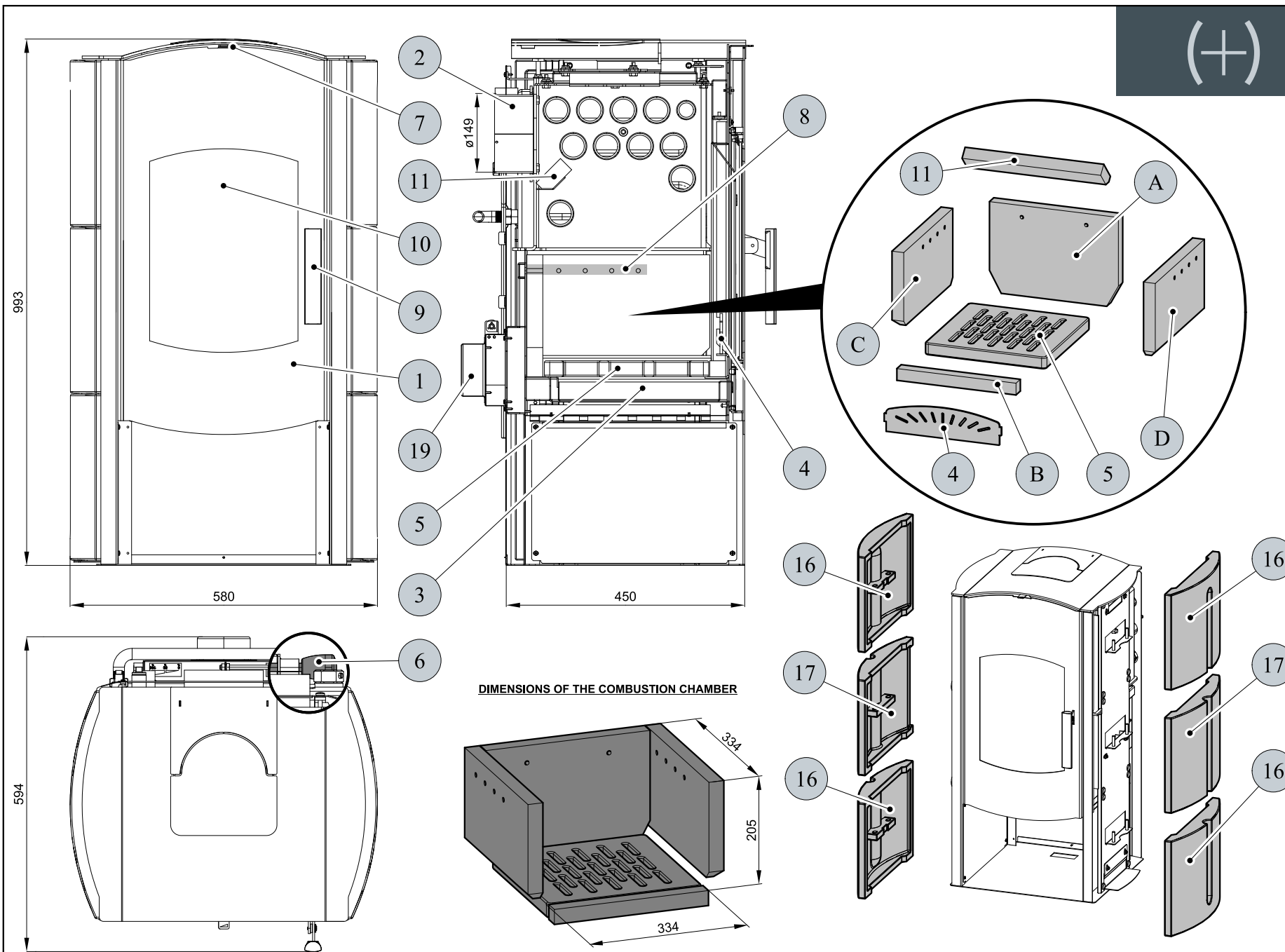
Amount of fuel, adjustment of the control of combustion air, manner of operation:
see the chapters 5.4, 5.5 and 5.6 of the Operation Manual and the table below.

Instructions for the control of intake of combustion air:

Fuel	Quantity of fuel		Primary air = slider on the rear side		Output		
	100%	33%	100%	33%	100%	33%	100%
	Secondary air = air channel in the combustion chamber		Tertiary air = air channel in the combustion chamber				
Block wood	3 kg/hour	1 kg/hour	shut	shut	open on 100%	open on 50%	non-controllable
Wood briquettes	2,7 kg/hour	0,9 kg/hour	shut	shut	open on 100%	open on 50%	non-controllable
Coal briquettes	2 kg/hour	0,7 kg/hour	open on 100%	open on 50%	open on 20%	open on 10%	non-controllable

Technical data:

	Wood	Wood briquettes	Coal briquettes		
Achieved heat output (100 %)	10,4 kW	10 kW	10,2 kW	Height	993 mm
Reduced heat output (33%)	3,4 kW	3,3 kW	3,4 kW	Width	580 mm
Spatial heating output	3 kW	2,6 kW	3 kW	Depth	594 mm
Usable output for heating bodies	7,4 kW	7,4 kW	7,2 kW	Weight	173 kg
Maximum stoking amount of fuel	3 kg/hour	2,7 kg/hour	2 kg/hour	Diameter of the smoke flue	150 mm
average temperature of combustion products in the smoke flue neck	261 °C	280 °C	257 °C	Maximum operating pressure of the exchanger	0,2 Pa
Mass stream of combustion products in NWL	8,2 g/s	9,5 g/s	10,2 g/s	Water contents and pressure loss of the exchanger	14 l
Energy efficiency	82,4 %	80,1 %	80,1 %	Recommended heat gradient (T output - T input)	75 - 60 °C
Average contents of CO ₂ at 13% O ₂	10,6 %	8,9 %	7,6 %	Minimum draft of the chimney in the smoke flue neck	12 Pa
Average contents of CO at 13% O ₂	1083 mg/Nm ³	666 mg/Nm ³	1060 mg/Nm ³	Heating capacity (average heat loss) at 10,5kW	about 189 m ³
Contents of dust at 13% O ₂	18 mg/Nm ³	17 mg/Nm ³	24 mg/Nm ³	Controllable output	3,3 - 10,5 kW
Amount of combustion air at nominal heating output	25 m ³ /hour	35 m ³ /hour	30 m ³ /hour		
Checked according to EN 13 240					

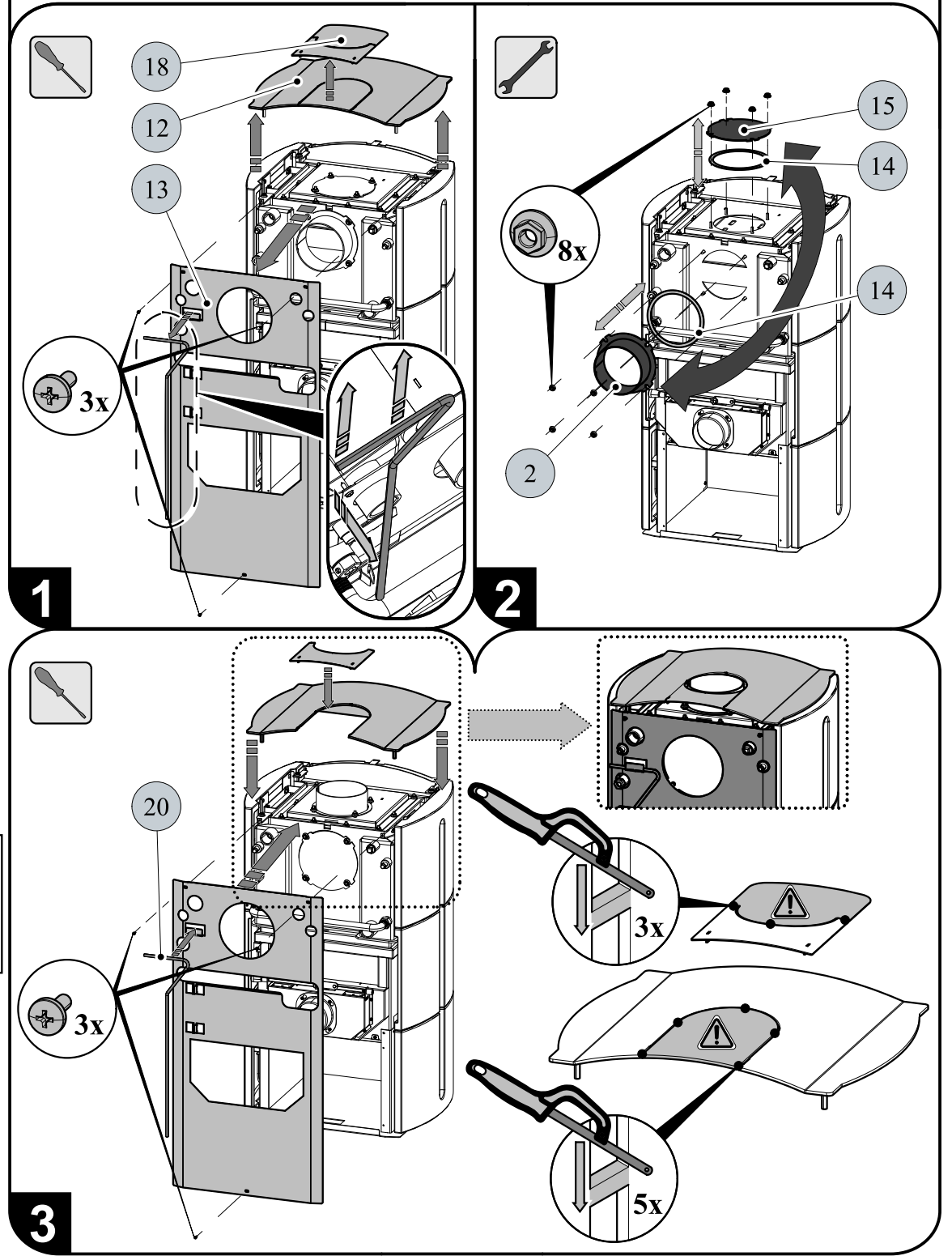


TECHNICAL DESCRIPTION

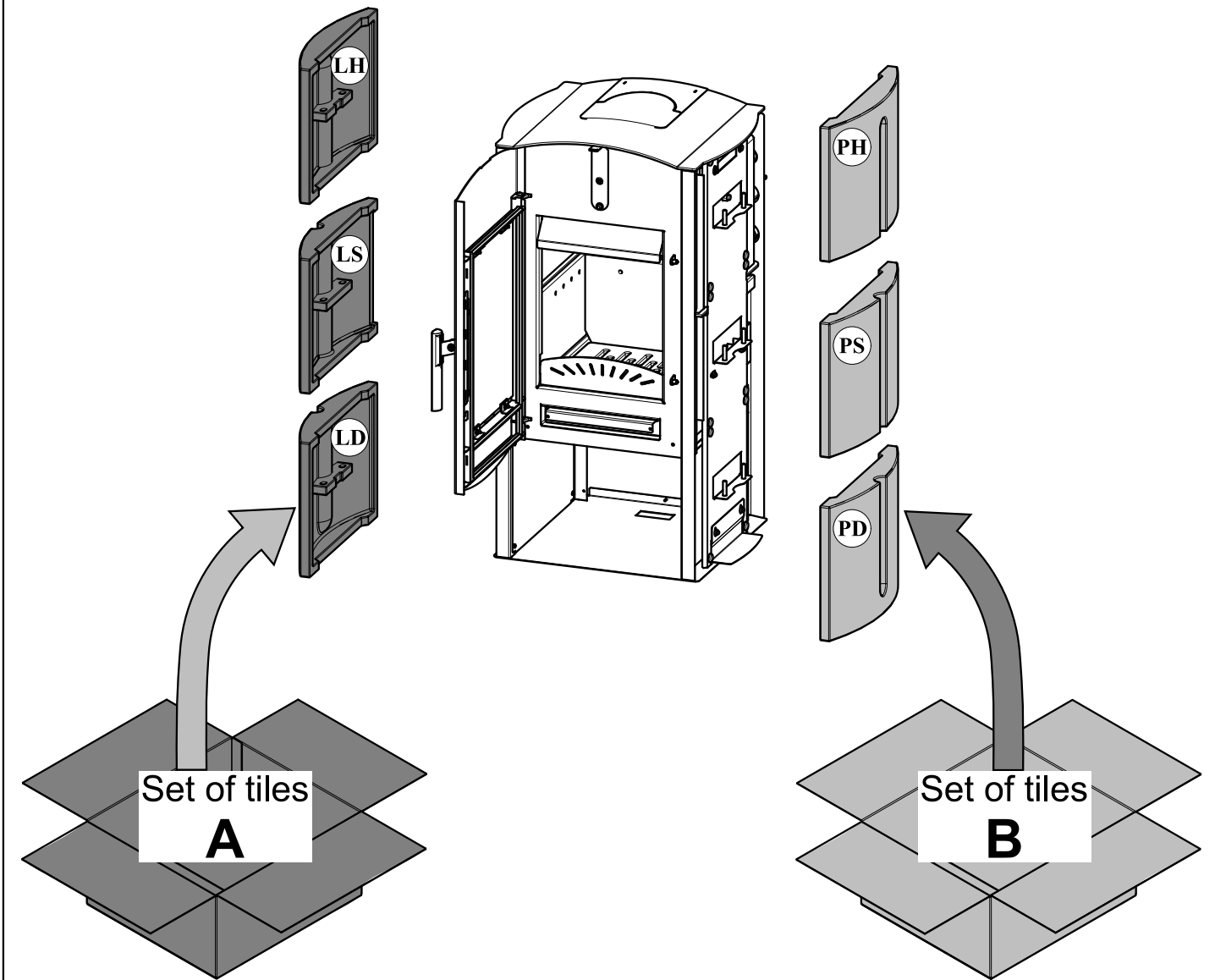
Item	Name	Number of the goods	Item	Name	Number of the goods
1	Fire-box door/black	0433615025300	17	Lateral tile/black	0432015136121
2	Smoke flue neck/black	0470315005007	17	Lateral tile/brown	0432015436121
3	Ash pan/black	0332315005030	17	Lateral tile/honey-coloured	0432015336121
4	Pile grating	0432015005040	17	Lateral tile/ivory	0432015006121
5	Bottom bricks Thermotte	0332315005052	17	Lateral tile/terracotta	0432015236121
6	Control of primary air	0433615005095	17	Lateral tile/camel brown	0432015636121
7	Control of secondary air	0433615005085	18	Screen of the cover/black	0432015005140
8	Output of tertiary air	-	19	external input of air (Ø100)	0088500050008
9	Hand pull of the door / chrome-plated	0433615025318	20	Cleaning smoke channel/black	0431915006080
10	Glass (300x410)	0432015005304	A	Fire clay 30x230x330	0332315005501
11	Change of direction of the draft (30x65x355)	0431915005701	B	Fire clay 30x305x30	0332315005502
12	Lid/black	0432015005100	C	Fire clay 30x190x340	0332315005504
13	Rear wall	0433615026110	D	Fire clay 30x190x340	0332315005505
14	Sealing cord of the smoke flue neck 10x4 mm	0040210040005			
15	Cover of the smoke hole/black	0470315007002			
16	Lateral tile/black	0432015136120		Sealing cord of the door 14 mm (2490 mm)	0040014140005
16	Lateral tile/brown	0432015436120		Sealing cord of the glass 10x4 mm (1350 mm)	0040210040005
16	Lateral tile/honey-coloured	0432015336120		Sealing cord of the glass holder 8x2 mm (160 mm)	0040208020005
16	Lateral tile/ivory	0432015006120		Sealing cord of the smoke flue 10x4 mm (960 mm)	0040210040005
16	Lateral tile/terracotta	0432015236120		Sealing cord of the body cover 10x4 mm (1100 mm)	0040210040005
16	Lateral tile/camel brown	0432015636120		Cord for offsetting the play of the tiles 9x3 (1200 mm)	0089000410005

Slight inaccuracies in the size, rectangularity and levelling of surfaces, variations of colour shades and of the effects of the glazing are a general rule in ceramic products. Formation of hair-line cracks in the glazing is admissible and will not be admitted as a defect!

Alteration of the connection of the smoke flue

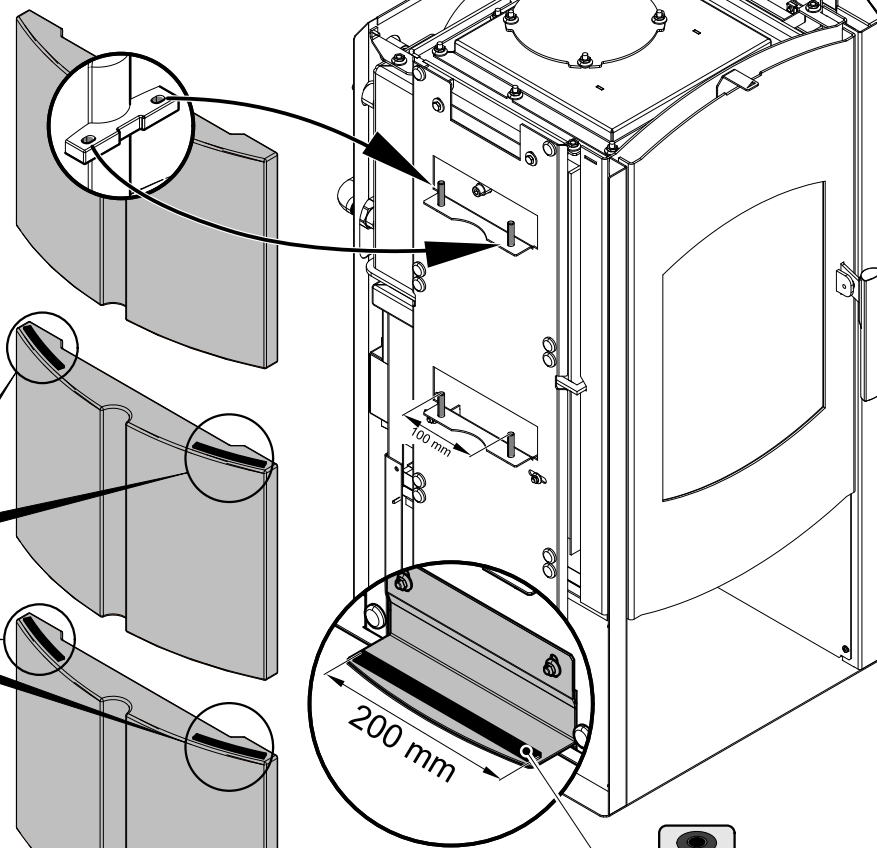
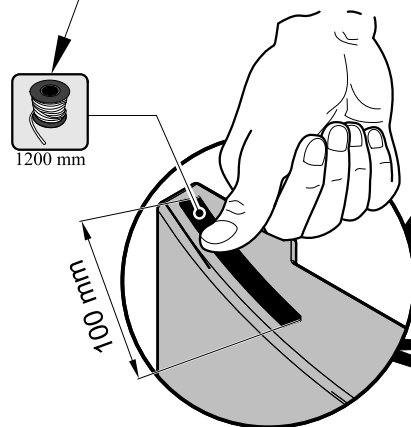
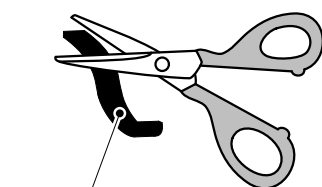
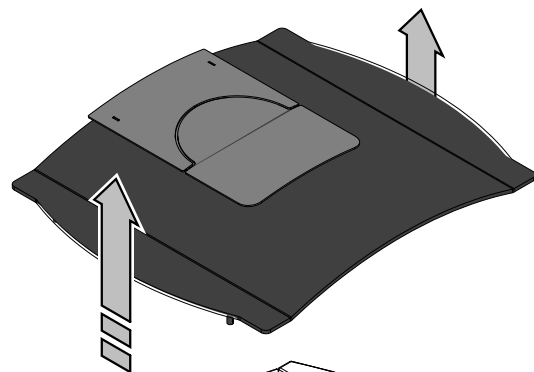


Instructions for the mounting of tiles of tile stoves
AQUARIS 336.15-WT





Installation of the cord for offsetting the plays of the tiles



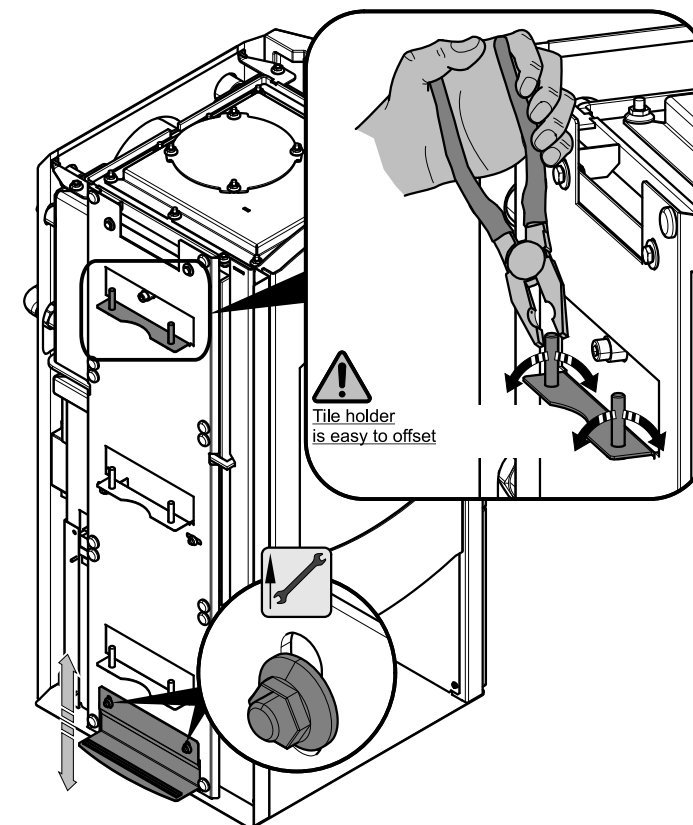
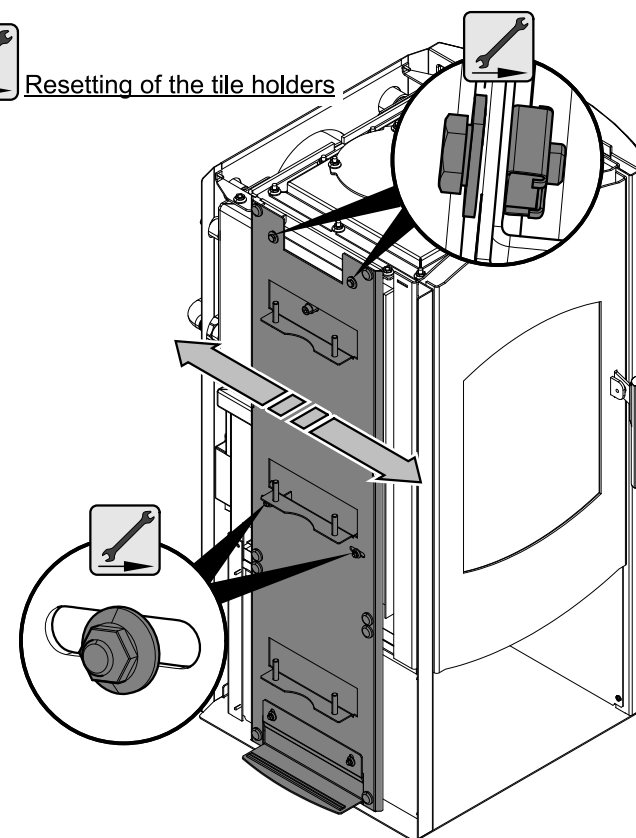
2

(+)

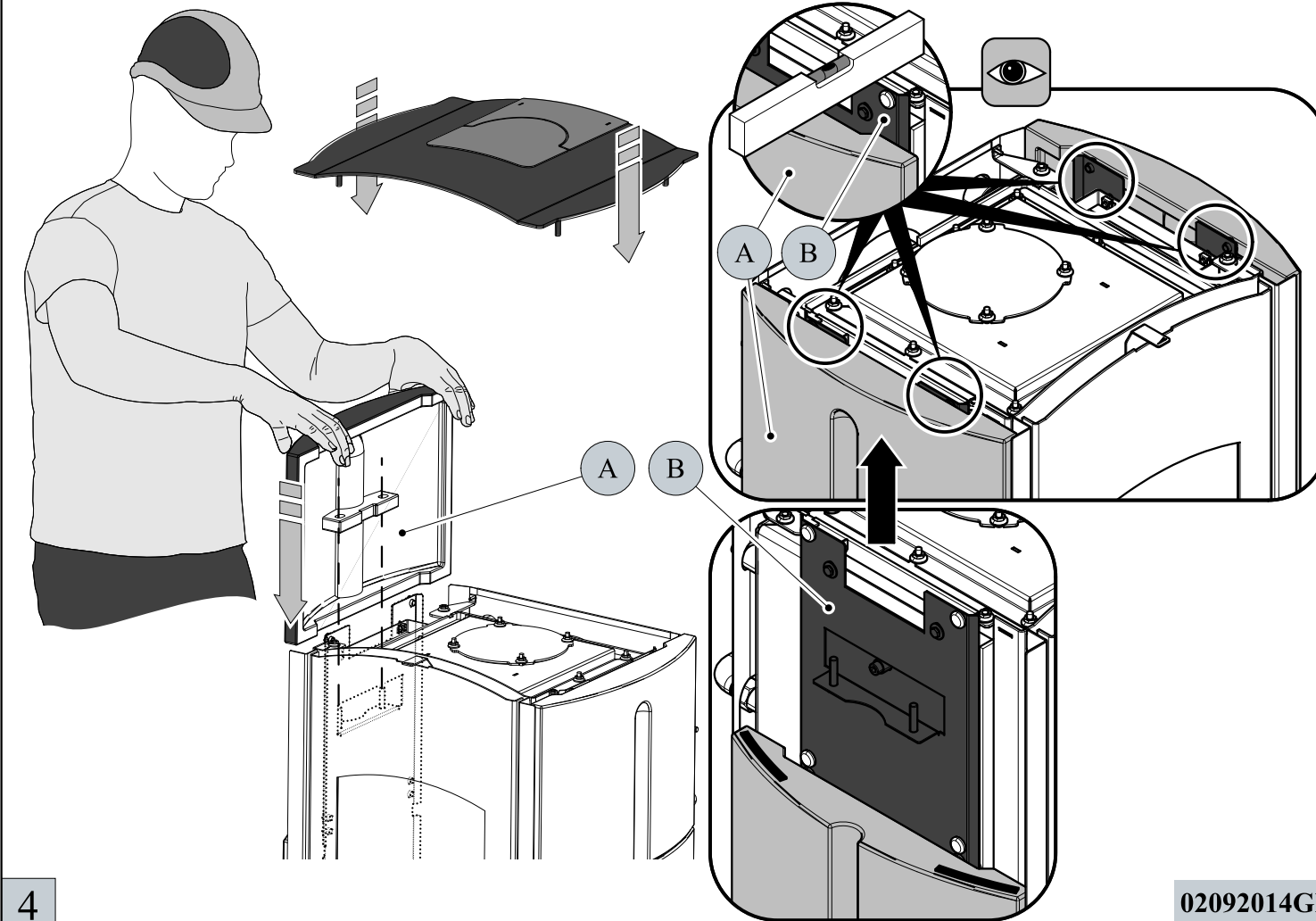
HAAS+SOHN



Resetting of the tile holders



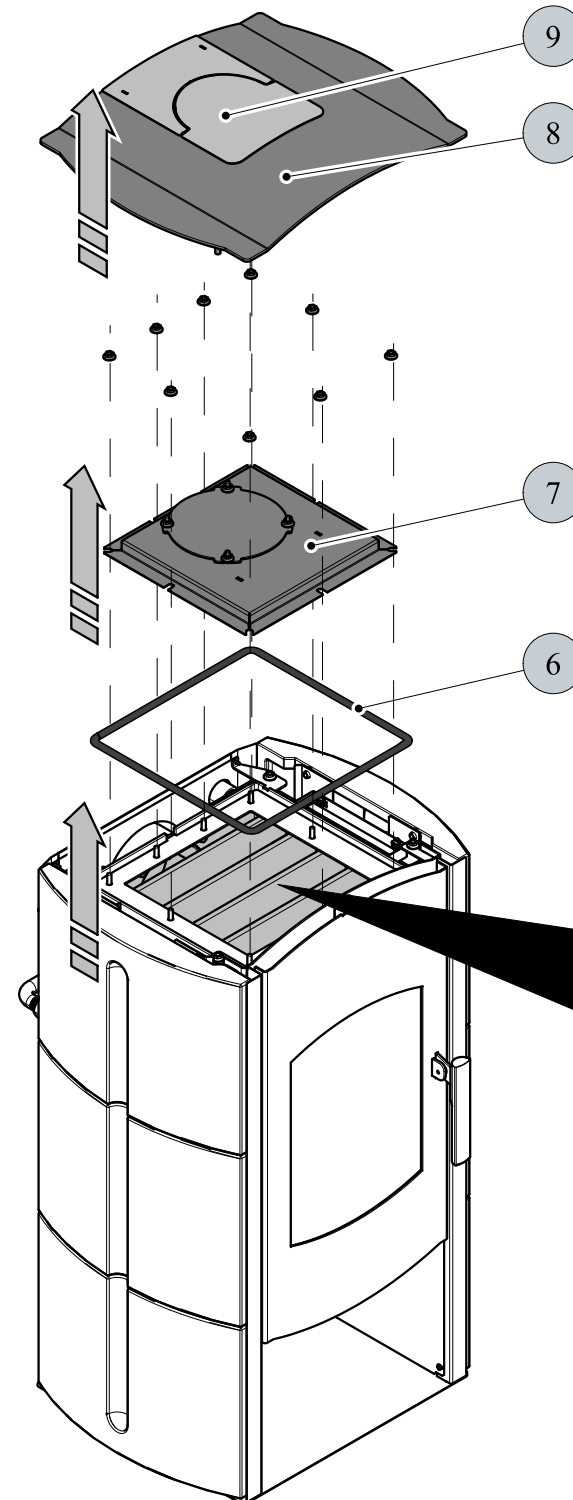
3



4

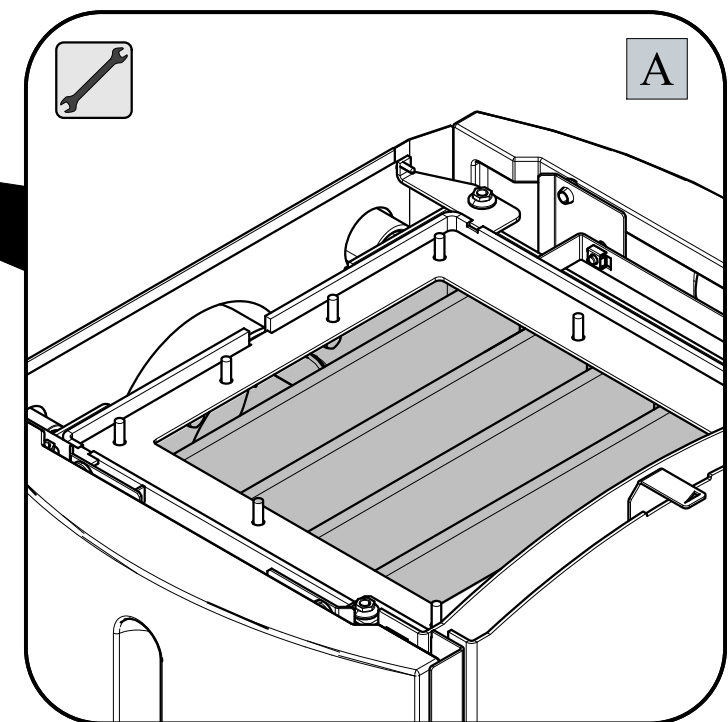
02092014GB

Instructions for cleaning of heat exchanger **AQUARIS 336.15-WT**



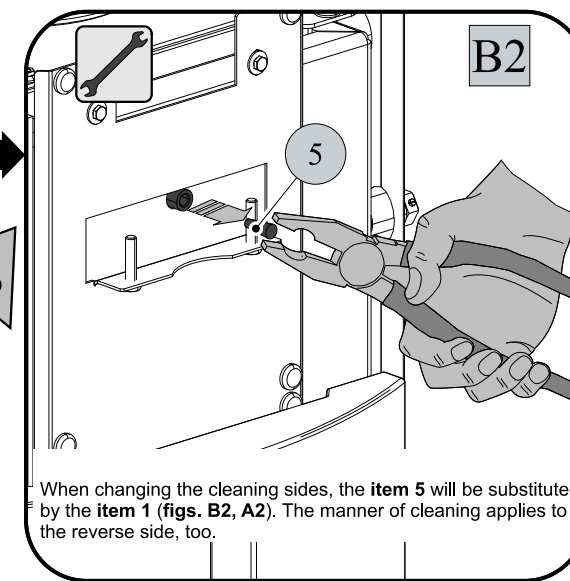
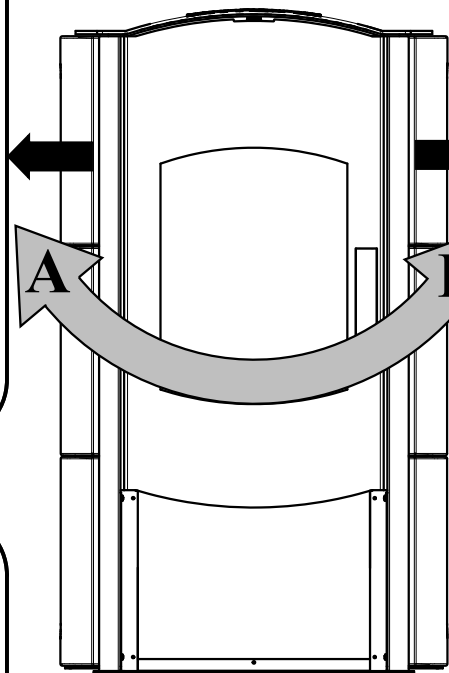
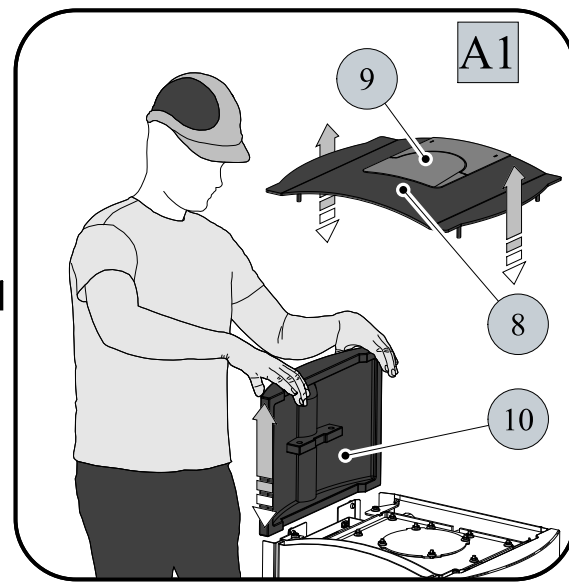
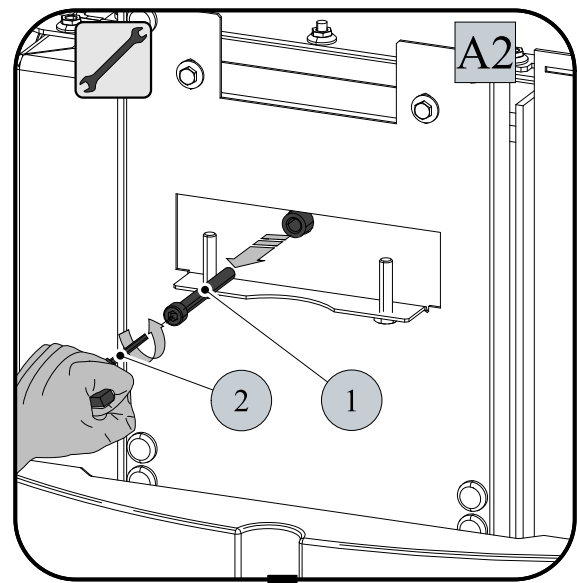
Basic cleaning: Generally, the heat exchanger ought to be cleaned regularly by means of the wiping blade, in order to preserve its original efficiency.

Overall cleaning: We recommend cleaning the heat exchanger completely after every heating season, and even more often in dependence on the manner of heating. For cleaning of the surface of the heat exchanger (fig. A), choose suitable tools. During overall cleaning, dismantle the cover (item 8) carefully, avoid damaging of the sealing cord (item 7).

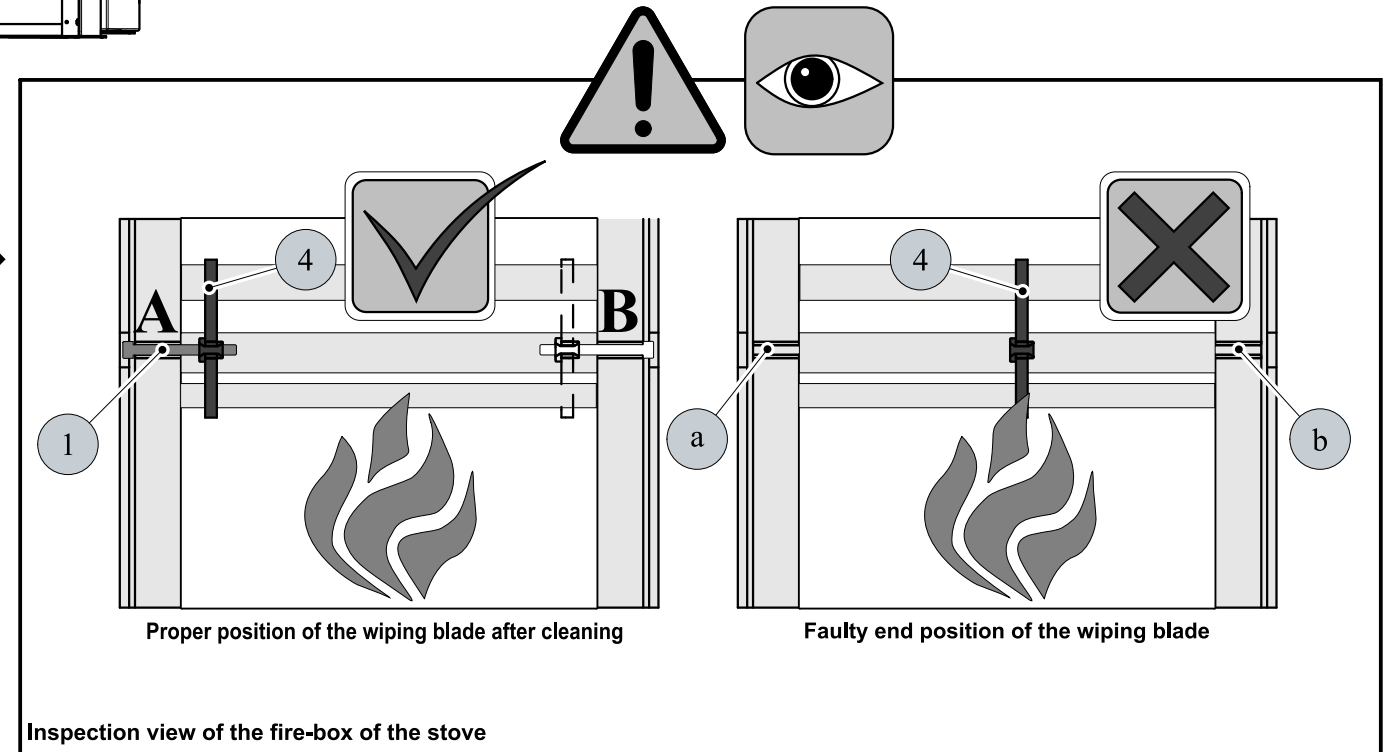
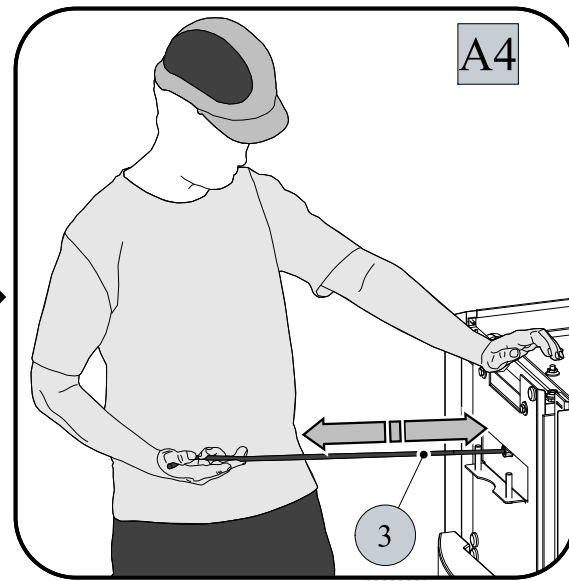
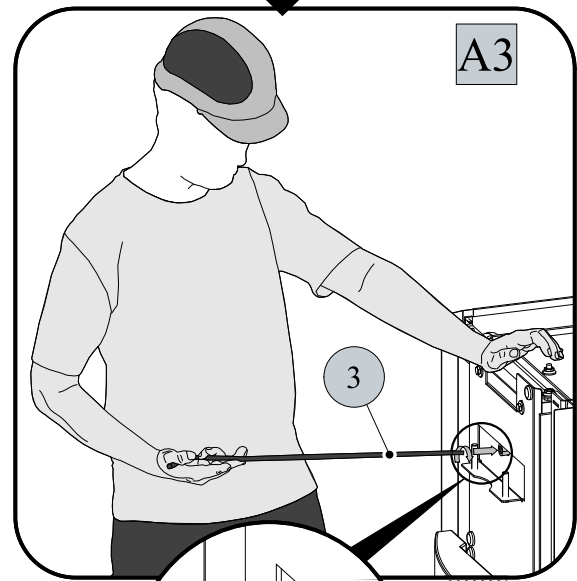
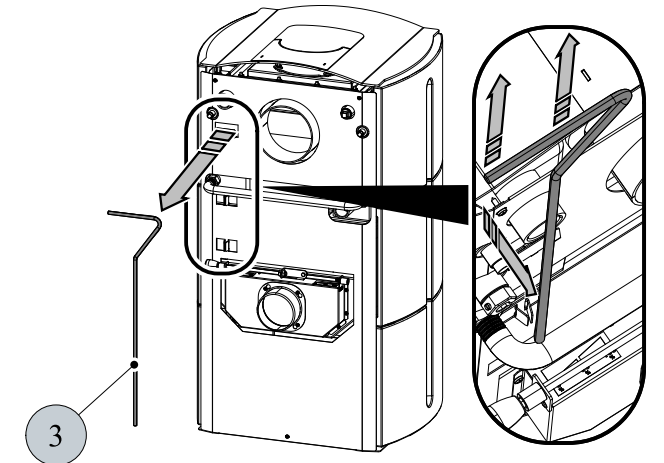


(+)

HAAS+SOHN



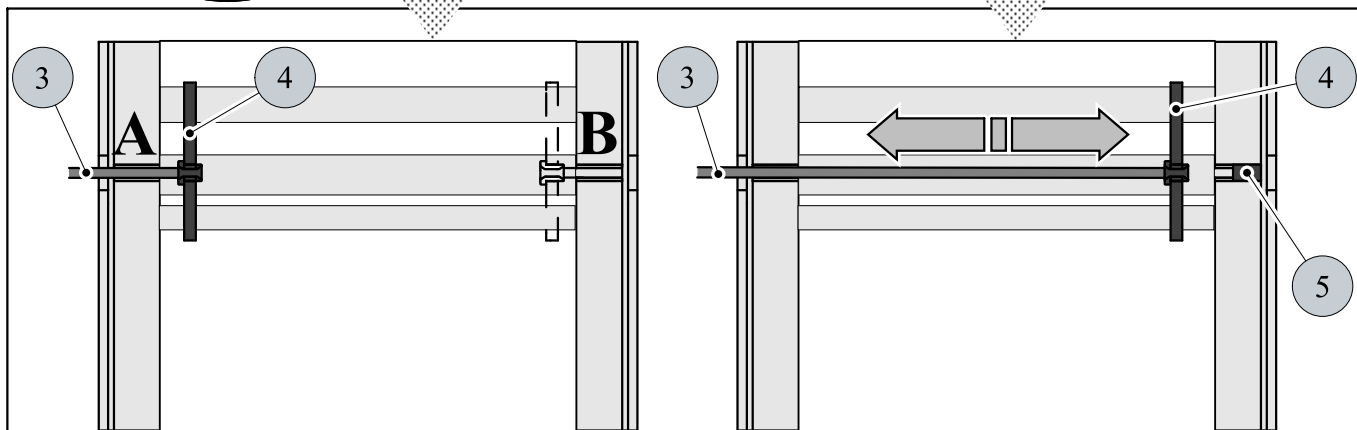
When changing the cleaning sides, the item 5 will be substituted by the item 1 (figs. B2, A2). The manner of cleaning applies to the reverse side, too.



Proper position of the wiping blade after cleaning

Faulty end position of the wiping blade

Inspection view of the fire-box of the stove



Inspection view of the fire-box of the stove when cleaning the heat exchanger

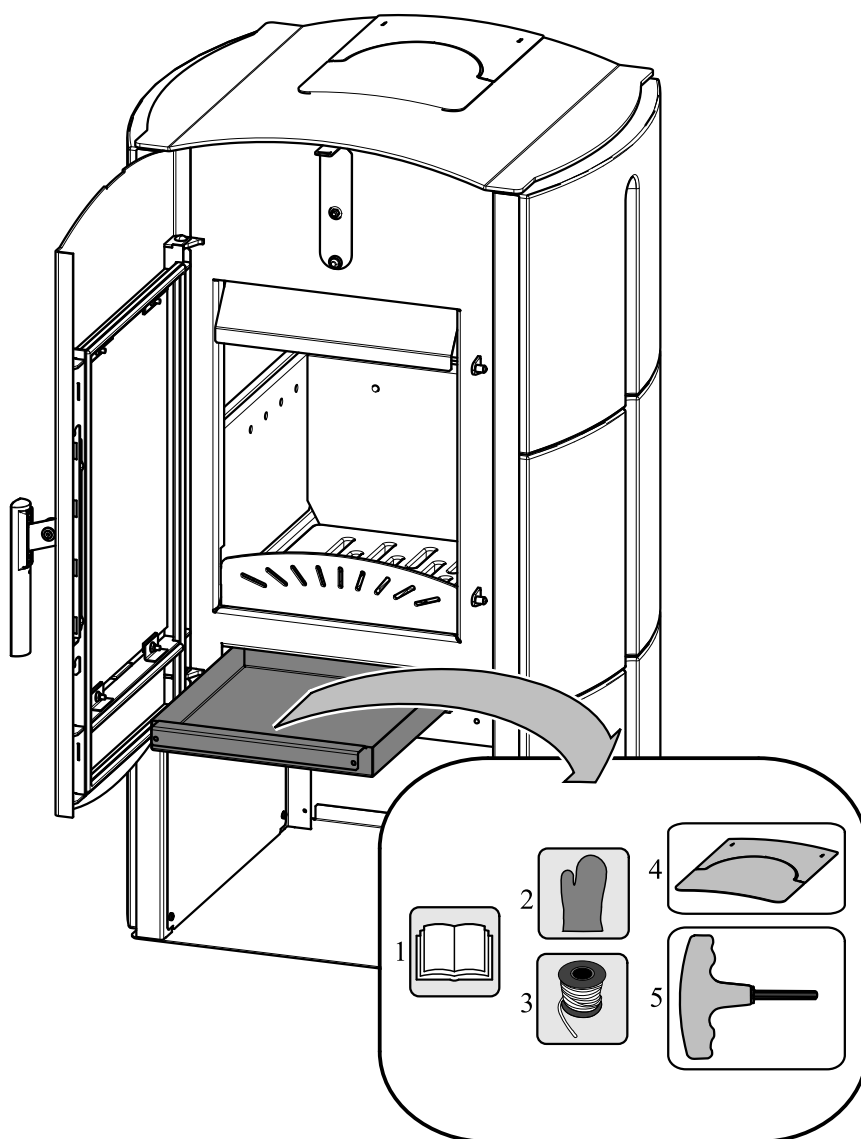
LIST OF PIECES

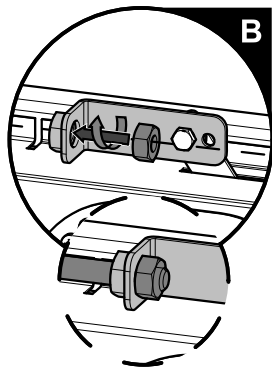
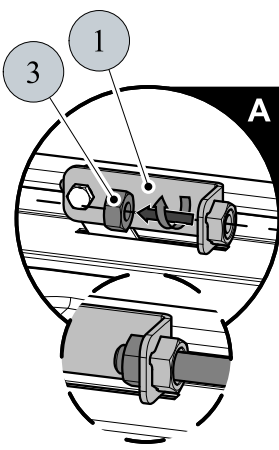
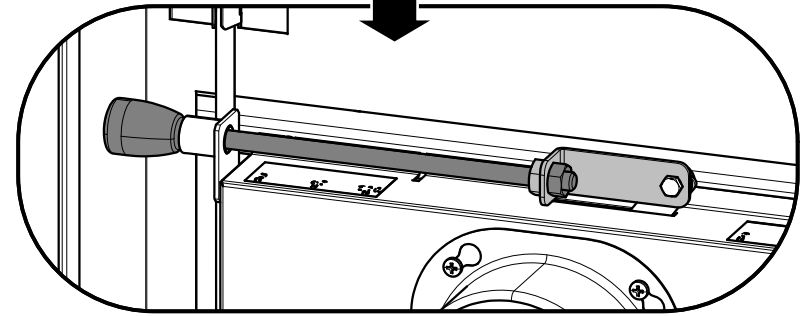
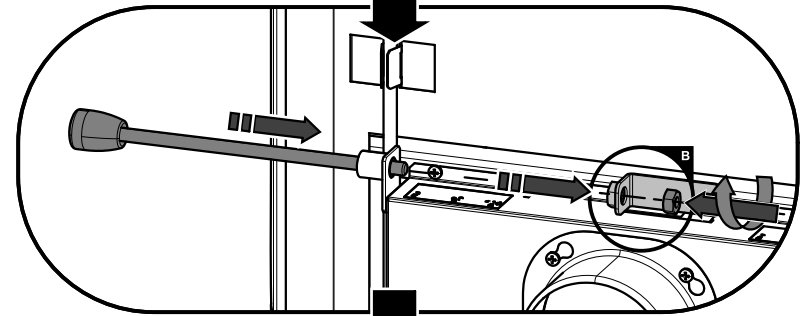
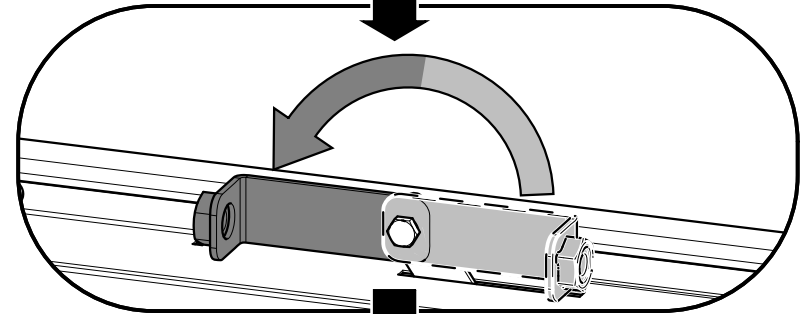
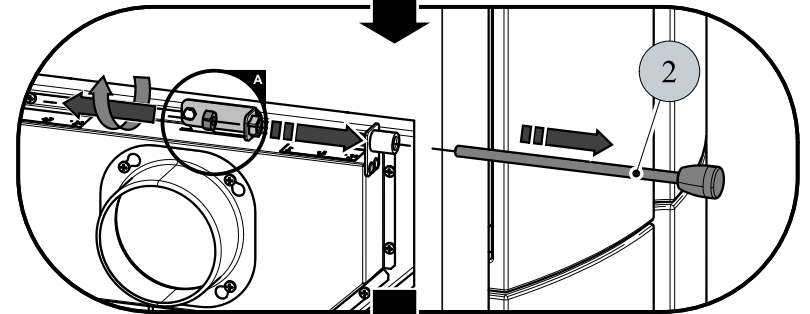
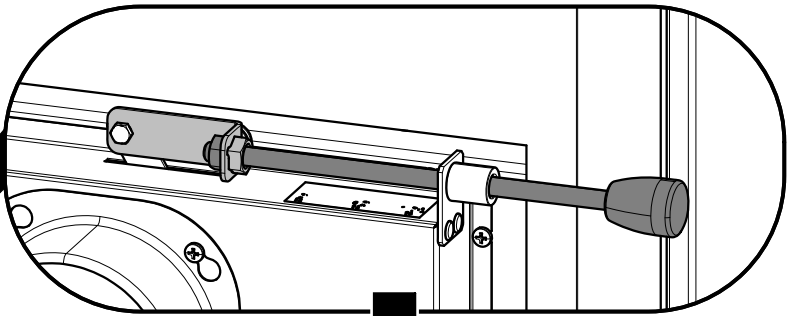
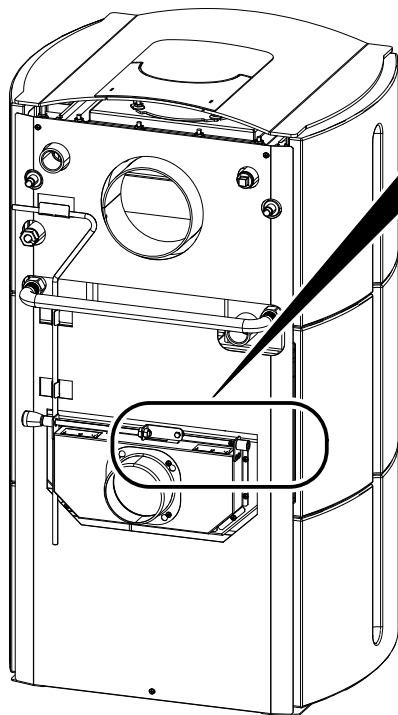
Item	Name	Name of the goods	Note
1	Screw M8x80	0030030800805	
2	Allen wrench 6 mm	9001700060005	Part of the delivery
3	Cleaning smoke channel/black	0431915006080	
4	Wiping blade	-	
5	Cover	0431915005016	
6	Sealing cord	0040210040005	
7	Cover of the body/black	0332315005061	
8	Cover/black	0432015005100	
9	Screen of the cover/black	0432015005140	
10	Lateral tile	-	



Scope of the delivery of the tile stove AQUARIS 336.15- WT

Item	Name	
1	Technical documentation, certificate of guarantee	-
2	Glove	1 piece
3	Cord for offsetting the plays of the tiles	1200 mm
4	Cover of the outlet of the smoke flue	1 piece
5	Allen wrench	1 piece





Position	Name
1	Rear pull-rod
2	Controller of primary air
3	Nut