

HAAAS  
+  
SOHN



## Aruba 220.17-ST

---

**Equipment sheet**  
Fireplace stove

**GB**

# Notes in the text



Of utmost importance there are the notes entitled **WARNING**. The notes entitled **WARNING** advise you on **serious danger of damage to the heating device or of an injury**.



The note entitled **Notice** advises you on possible damage to your heating device.



The note entitled **Important** calls your attention to the information important for the operation of your heating device.



The note itself calls your attention to the information important for the operation of your heating device in general.

# Contents

<b>1. Technical data</b> .....	1
1.1. Suitable fuel, stoking amount of fuel .....	1
<b>2. List of spare parts</b> .....	2
2.1. Basic version (without a box for wood) .....	2
2.2. Extended version (with a box for wood) .....	3
2.3. Spare parts for the fire-box .....	4
<b>3. Dimensional drawing</b> .....	5
<b>4. Conversion of the smoke flue neck</b> .....	6



# 1. Technical data

	Wood stock	
Achievable heat output	6,3 kW	
Nominal heat output	6 kW	
Energy efficiency	80 %	
Average concentration of CO at 13% O <sub>2</sub>	1000 mg/Nm <sup>3</sup>	700 mg/MJ
Average concentration of dust at 13% O <sub>2</sub>	20 mg/Nm <sup>3</sup>	13 mg/MJ
Average concentration of NOx at 13% O <sub>2</sub>	51 mg/Nm <sup>3</sup>	67 mg/MJ
Value of triple combustion products (three specific output parameters of chimneys)		
Amount of combustion products at nominal output	6,2 g/s	
Temperature of combustion products in the smoke flue neck	294 °C	
Minimum draft of the chimney at nominal heat output	11 Pa	

## Safety distances

Minimal distances from flammable materials:	side:	15 cm
	rear - with insulation on the flue tube:	5 cm
	rear - without insulation on the flue tube:	15 cm
	front (radiation area):	100 cm

## 1.1. Suitable fuel, stoking amount of fuel

Fuel:	Max. stoking amount of fuel
Wood stock:	2 logs (max. 1,5 kg)
Length of wood logs:	Max. 33 cm
Saw-dust briquettes (DIN51731):	1 sawdust briquette (max. 1,4 kg)
Lignite briquette:	1 lignite briquette (max. 1,6 kg)



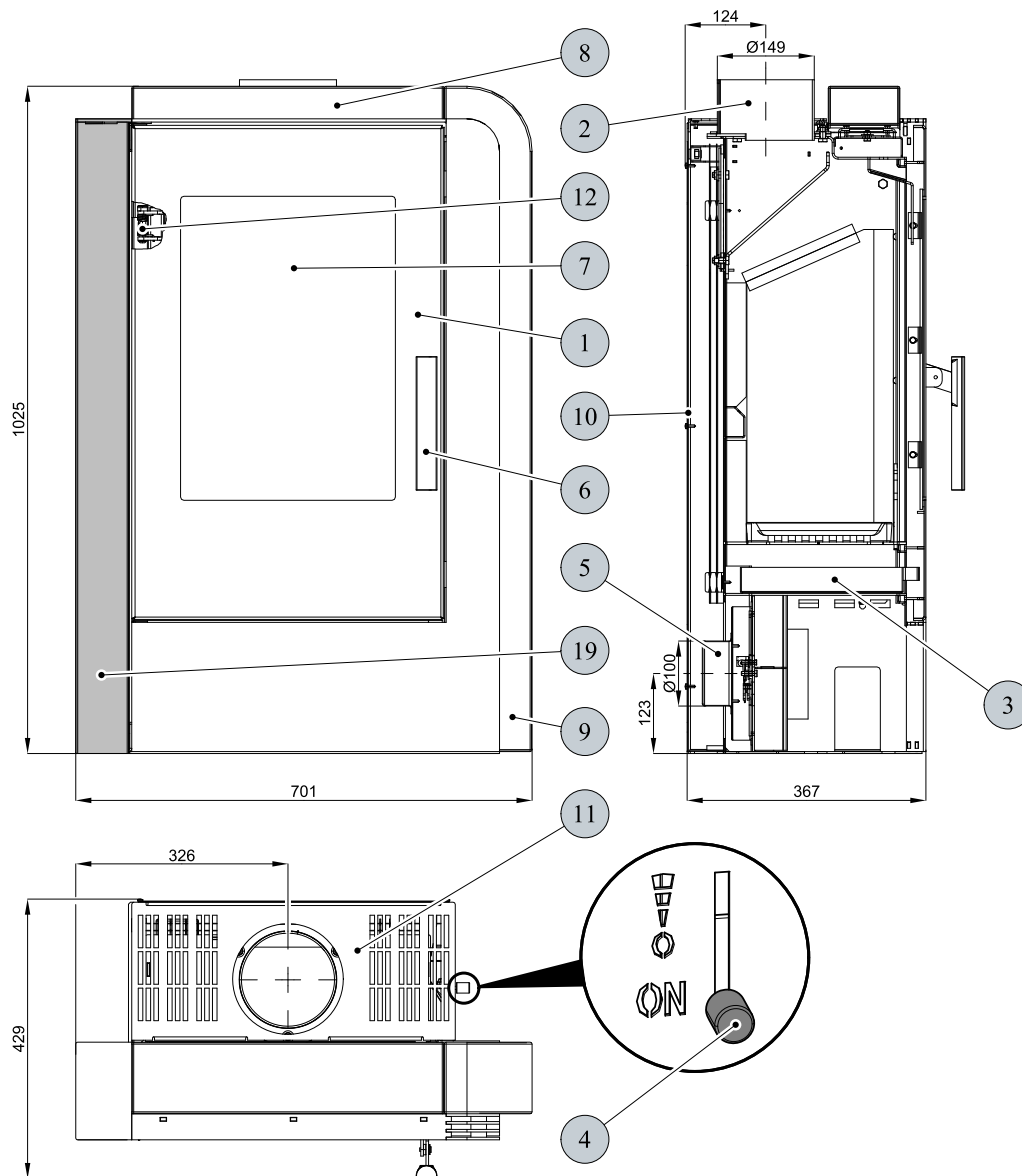
### Note

When heating with wood stock, employ solely the types of wood which have been stored for two years and their residual humidity is 17 % at the most.

# 2. List of spare parts

## 2.1. Basic version (without a box for wood)

List of spare parts

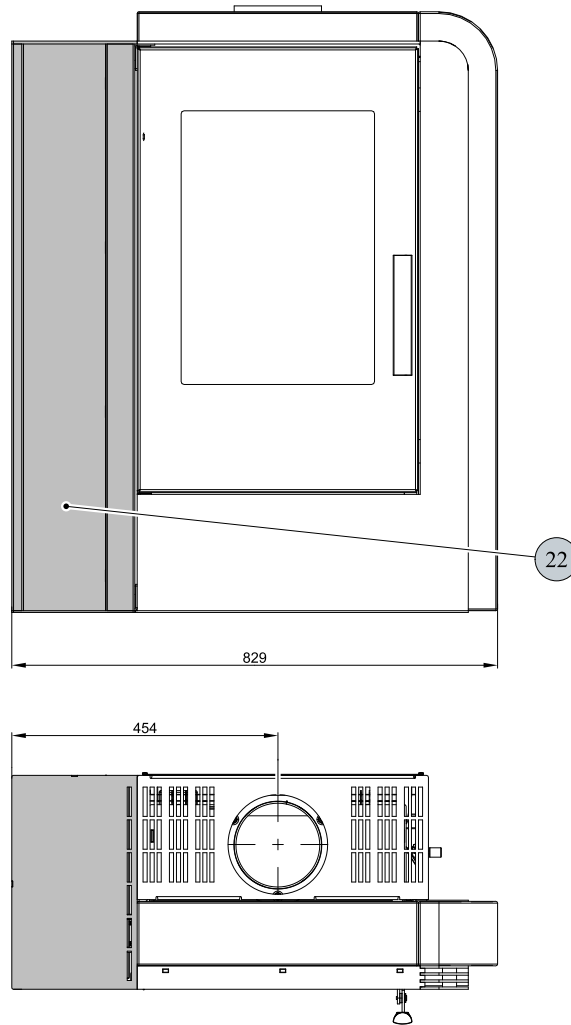


GB

Item	Name	Number of the spare part
1	Door of fire-box/black	0422017005300
2	Smoke flue neck/black	0422017005049
3	Ash pan	0433017005600
4	Control button Easy control	0420915005625
5	External air input (Ø100)	0088500050008
6	Set of door handles	0429415005318
7	Refractory glass (360x492)	0422017005305
8	Upper lining/antique soap-stone	0422017016160
8	Upper lining/antique soap-stone sandblast	0422017017160
8	Upper lining/Wood stone	0422017006160
9	Lateral lining/antique soap-stone	0422017016161
9	Lateral lining/antique soap-stone sandblast	0422017017161

9	Lateral lining/Wood stone	0422017006161
10	Rear cover	0422017005031
11	Lid/black	0422017005810
12	Door spring	0088400040005
19	Lateral body	0422017005170
—	Sealing cord of the door 14 mm (2180 mm)	0040014140005
—	Sealing cord of the glass 10x4 mm (1700 mm)	0040210040005
—	Sealing cord of glass holders 8x2 mm (240 mm)	0040208020006

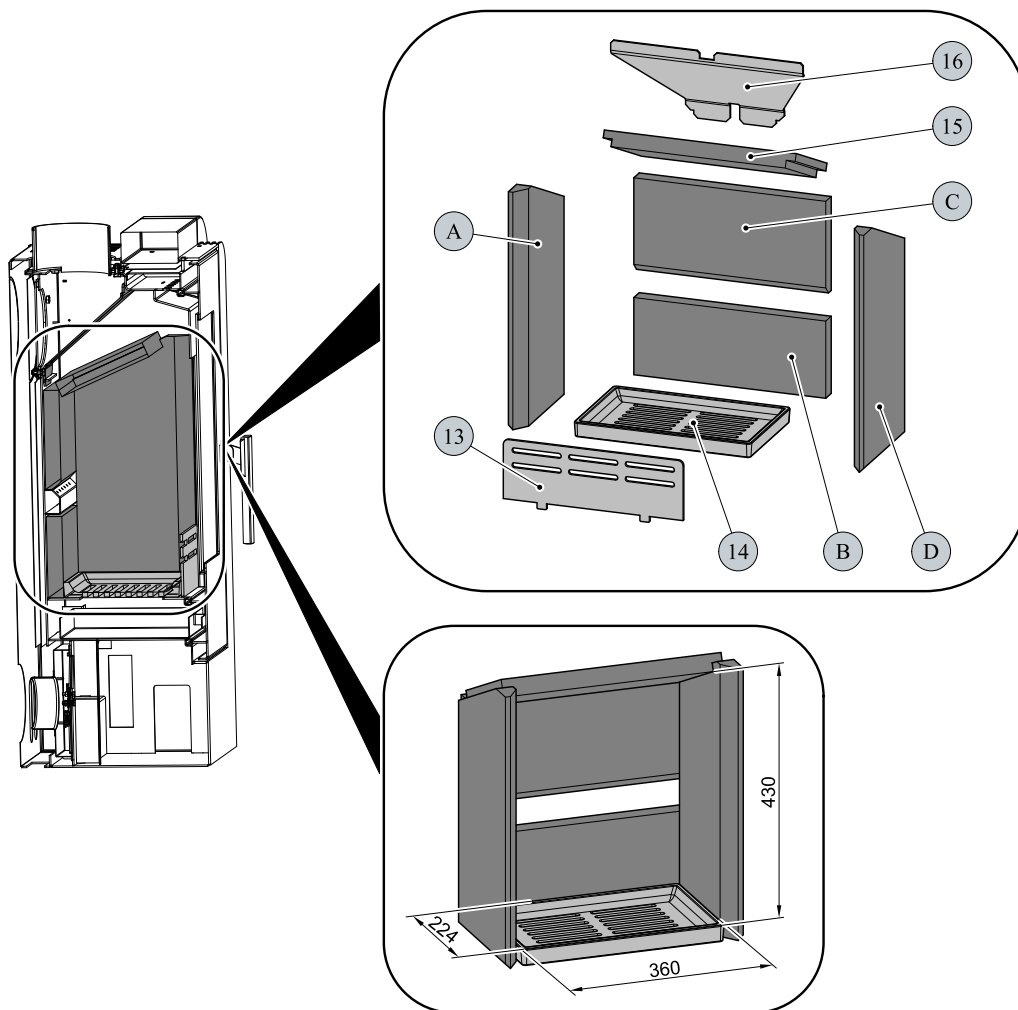
## 2.2. Extended version (with a box for wood)



Item	Name	Number of the spare part
22	Box for wood	0422017600000

## 2.3. Spare parts for the fire-box

List of spare parts

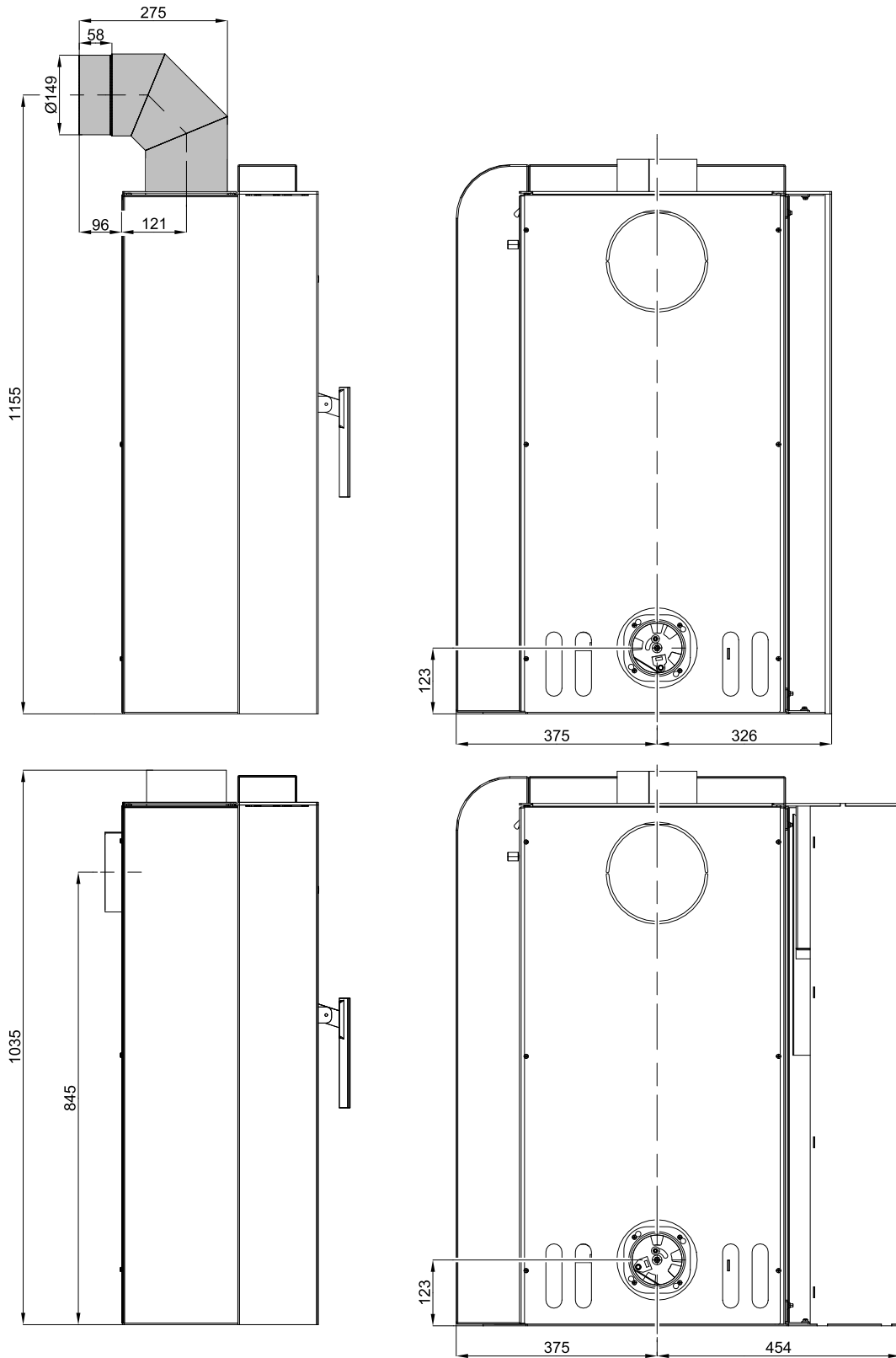


Item	Name	Number of the spare part
13	Pile grating/black	0422017005007
14	Seating of the grate/black	0020100100007
15	Lower return board of the draft (30x185x390)	0422017005701
16	Upper return board of the draft (4x262x390)	0422017005702
A	Fire-clay 30x225x480	0422017005501
B	Fire-clay 30x156x410	0422017005502
C	Fire-clay 30x190x410	0422017005503
D	Fire-clay 30x225x480	0422017005504

GB



# 3. Dimensional drawing



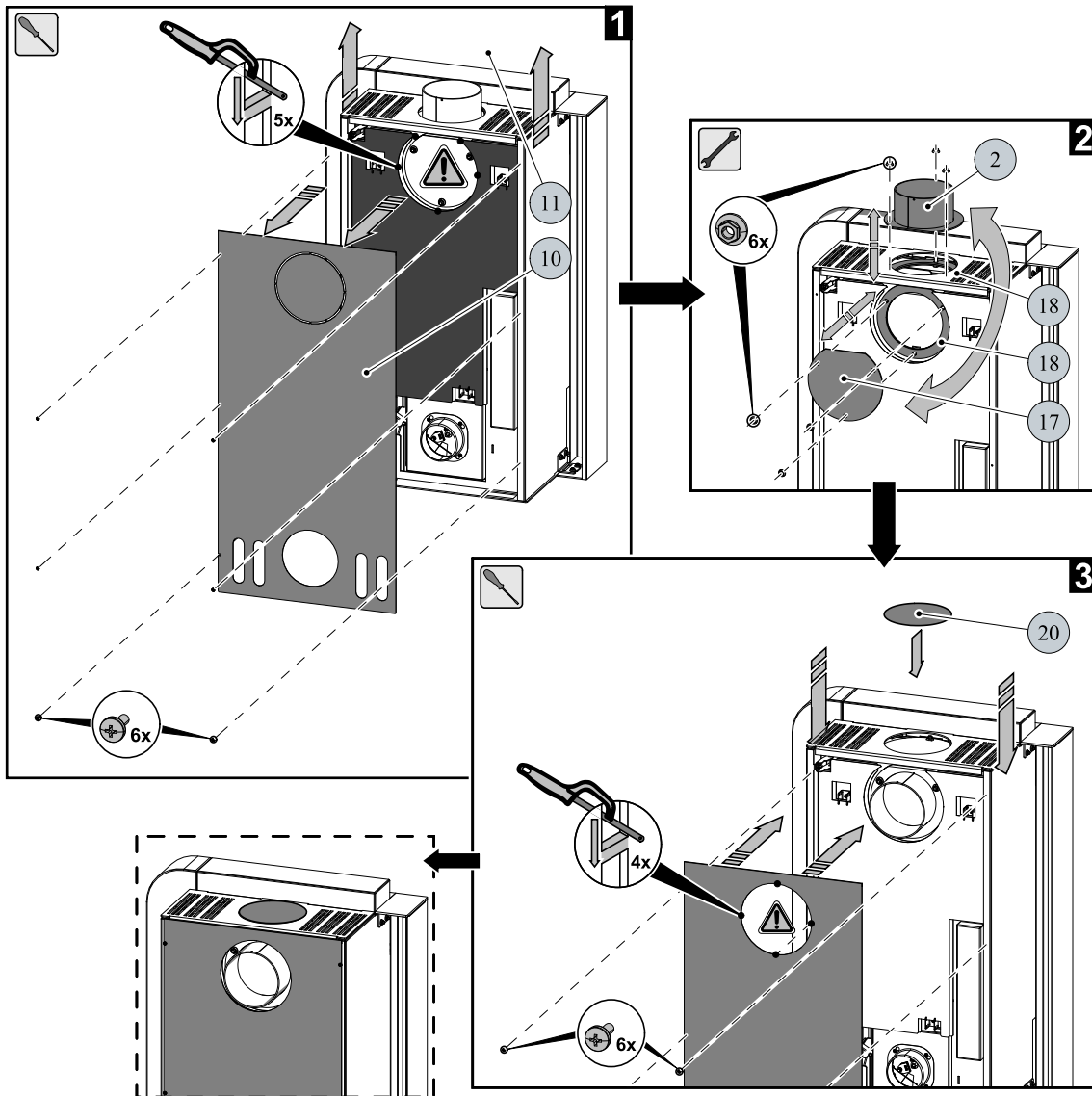
Dimensional drawing

GB

Minimum distances from inflammable construction parts:	<b>In the rear:</b> with the smoke flue tube insulated according to DIN EN 1856-2 T400 N1D Vm L01200 G250M	5 cm
	<b>In the rear:</b> without an insulated smoke flue tube	15 cm

# 4. Conversion of the smoke flue neck

Conversion of the smoke flue neck



GB

Item	Name	Number of the spare part
2	Smoke flue neck/black	0422017005049
10	Rear cover	0422017005031
11	Lid/black	0422017005810
17	Lining of the smoke flue/black	0429415005048
18	Sealing of the smoke flue	0429415005060
20	Insert plate/black	0422017005802

